

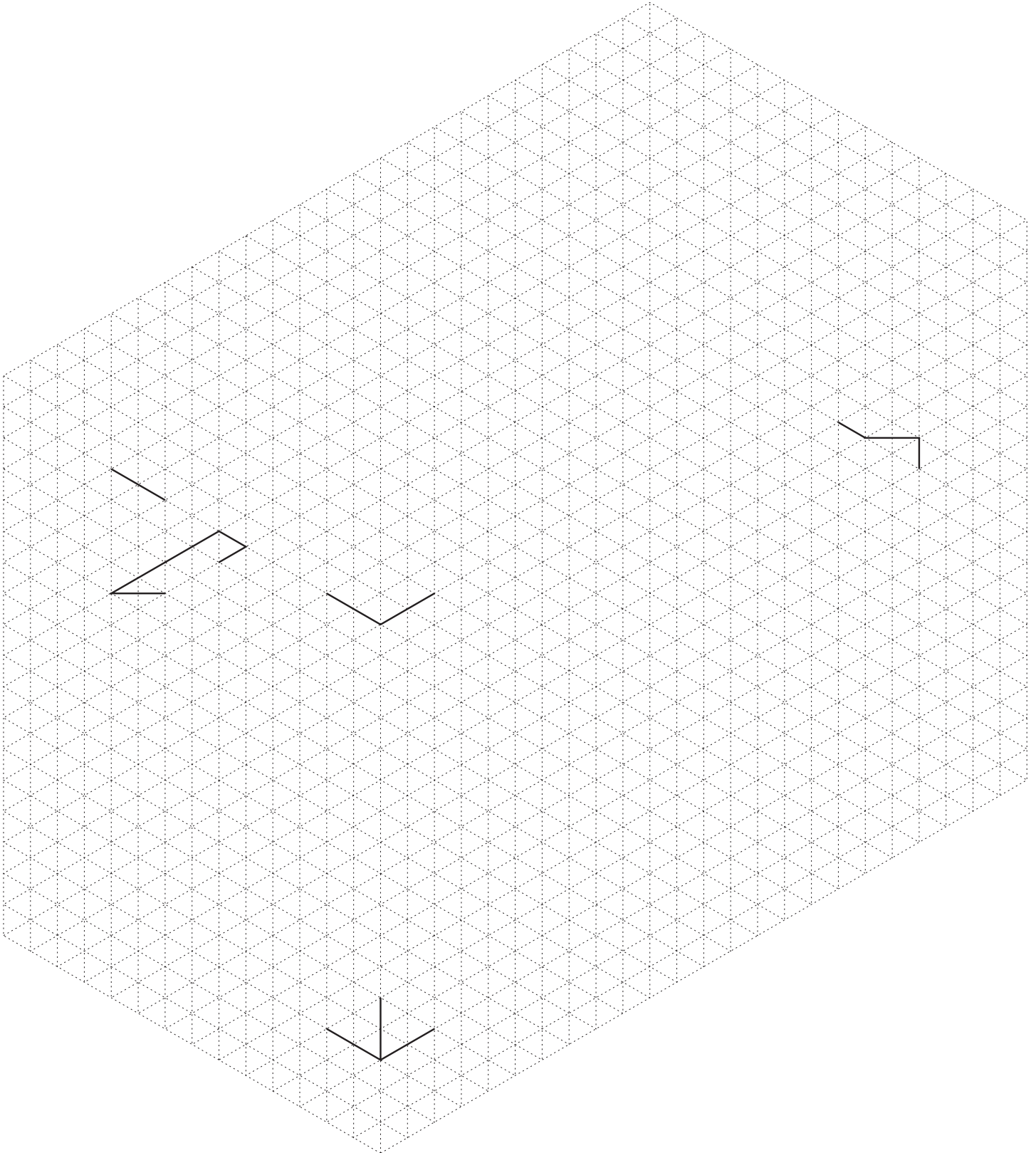
Mitre Jointed Box Isometric Drawing

Please redraw the box
carefully below.

Name: _____

Score: ____/10

- ___/2 Clean, straight lines
- ___/4 Accurate shape and length
- ___/4 All measurements and guidelines



Box Project Planning

Rabbet and dado jointed shelf
with three divisions

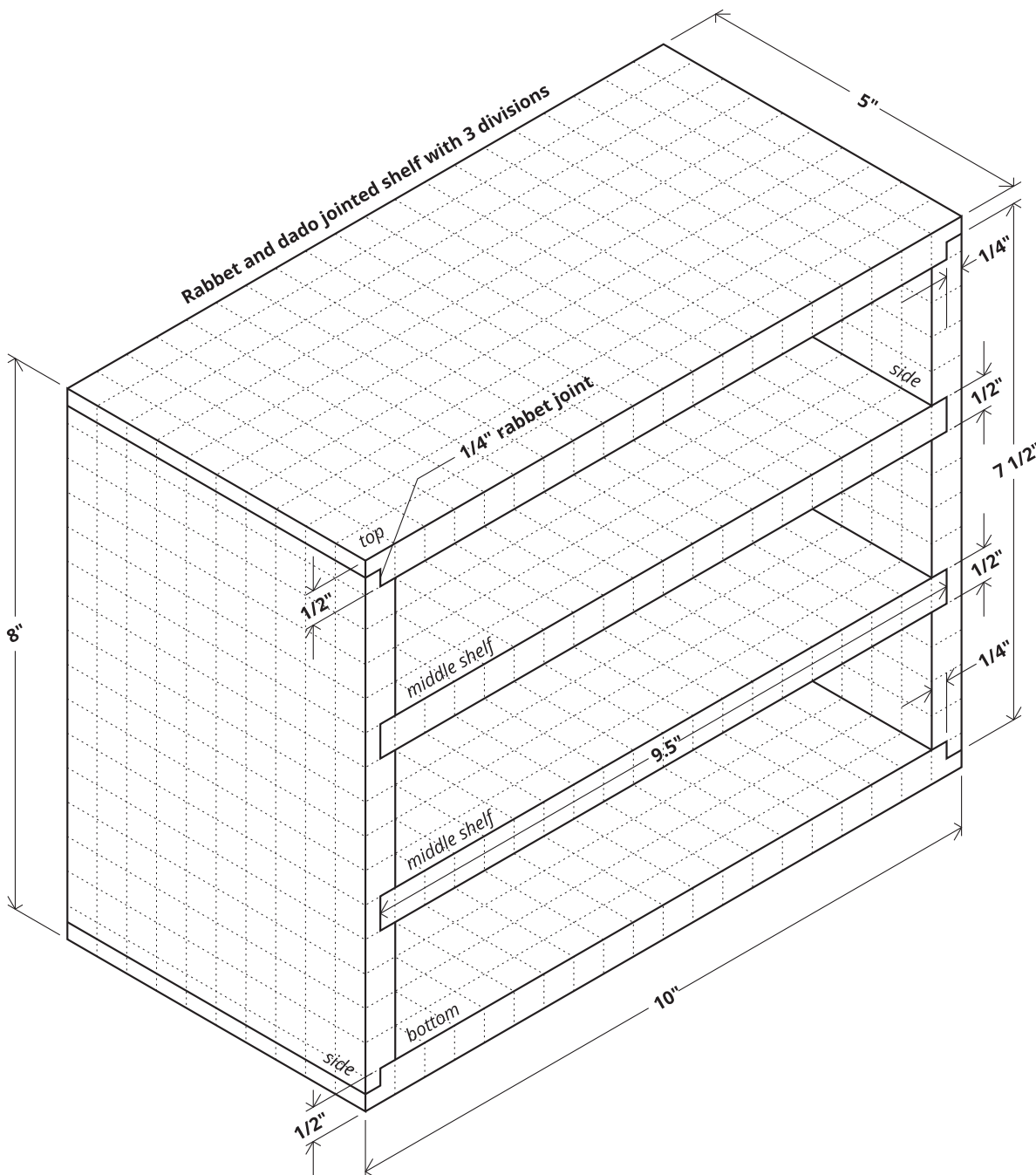
Materials List

resawn 2x6 - 32" long	2	x	\$1.05	=	\$2.10
8"x 16" plywood 1/4" thick	1	x	\$0.50	=	\$0.50
woodworking glue	1	x	\$0.25	=	\$0.25
40 grit sandpaper	1	x	\$0.22	=	\$0.22
60 grit sandpaper	1	x	\$0.22	=	\$0.22
100 grit sandpaper	1	x	\$0.22	=	\$0.22
150 grit sandpaper	1	x	\$0.22	=	\$0.22
220 grit sandpaper	1	x	\$0.22	=	\$0.22
N95 dust mask	1	x	\$1.73	=	\$1.73
pair of gloves	4	x	\$0.03	=	\$0.12
varnish	1	x	\$0.82	=	\$0.82

Cut List

Part	#	thickness	width	length	material
top/bottom	2	1/2"	5"	10"	spruce
side	2	1/2"	5"	7 1/2"	spruce
middle shelf	2	1/2"	5"	9 1/2"	spruce
back	1	1/4"	7 7/16"	9 7/16"	plywood

Total = \$6.62



Rabbit and Dado Jointed Box

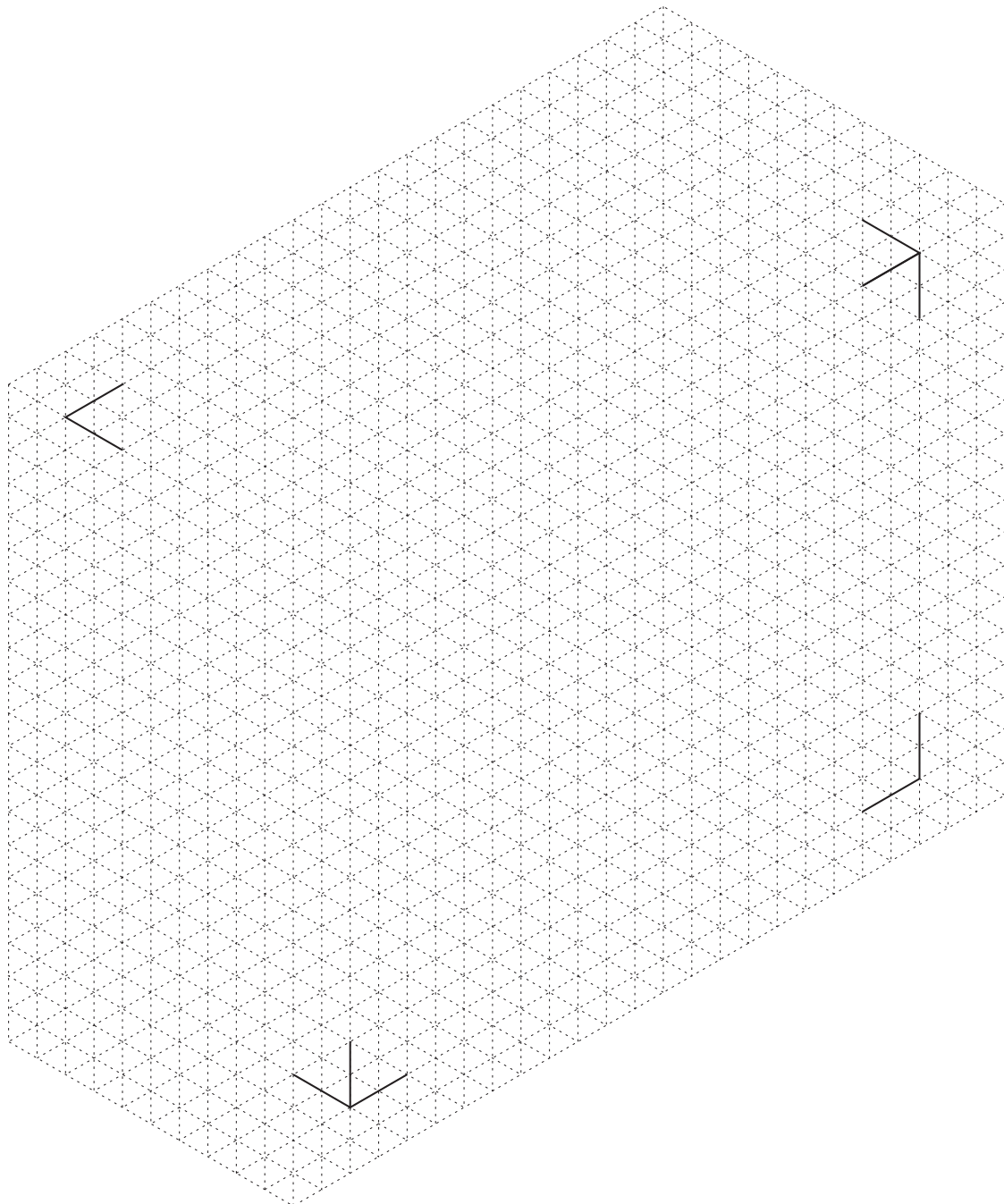
Name: _____

Isometric Drawing

Please redraw the box carefully below.

Score: ___/10

- ___/2 Clean, straight lines
- ___/4 Accurate shape and length
- ___/4 All measurements and guidelines



Box Project Planning

Biscuit jointed box with three divisions

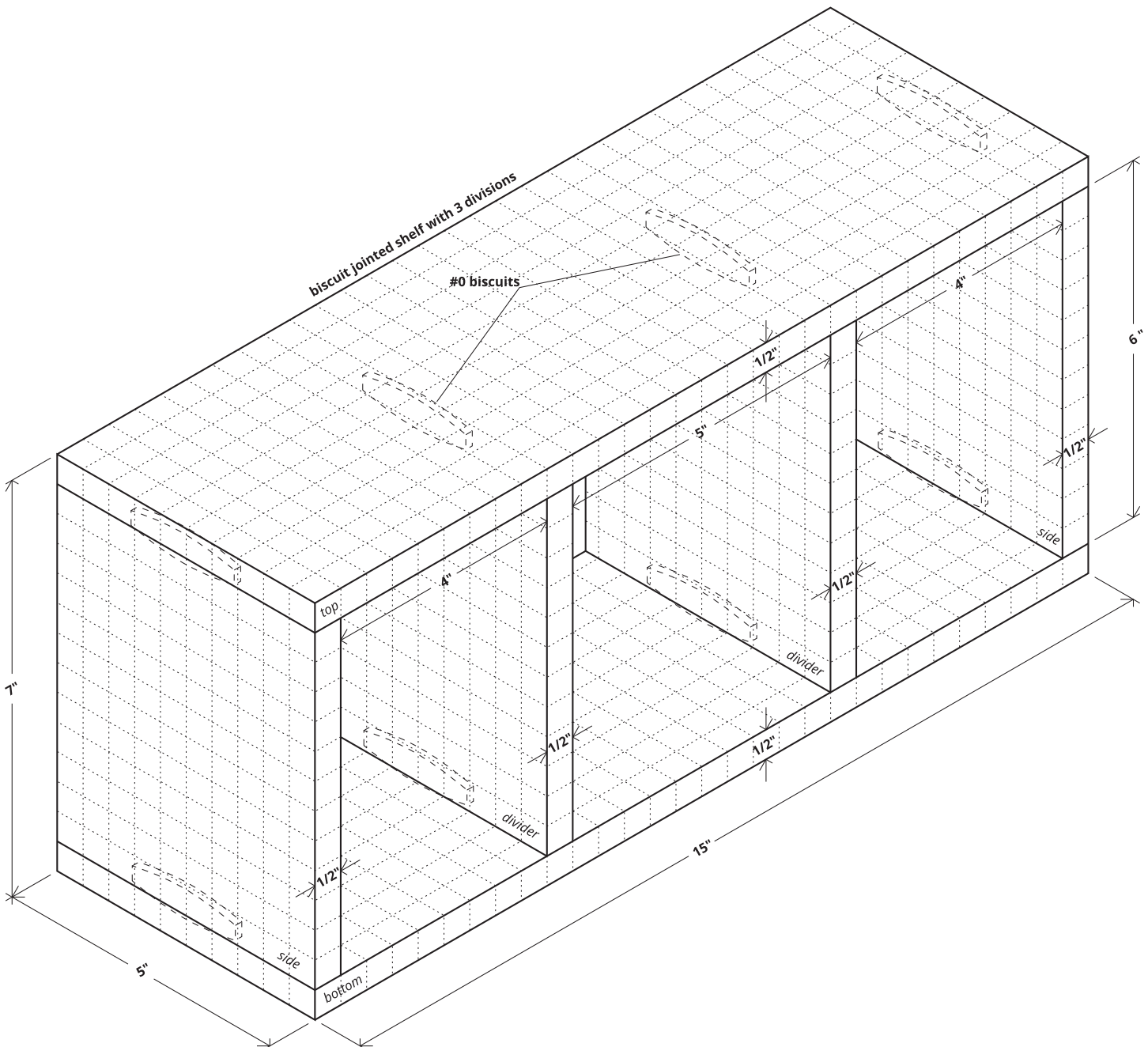
Materials List

resawn 2x6 - 32" long	2	x	\$1.05	=	\$2.10
8"x 16" plywood 1/4" thick	1	x	\$0.50	=	\$0.50
#0 biscuits	8	x	\$0.06	=	\$0.42
woodworking glue	1	x	\$0.25	=	\$0.25
40 grit sandpaper	1	x	\$0.22	=	\$0.22
60 grit sandpaper	1	x	\$0.22	=	\$0.22
100 grit sandpaper	1	x	\$0.22	=	\$0.22
150 grit sandpaper	1	x	\$0.22	=	\$0.22
220 grit sandpaper	1	x	\$0.22	=	\$0.22
N95 dust mask	1	x	\$1.73	=	\$1.73
pair of gloves	4	x	\$0.03	=	\$0.12
varnish	1	x	\$0.82	=	\$0.82

Total = \$7.10

Cut List

Part	#	thickness	width	length	material
top/bottom	2	1/2"	5"	15"	spruce
side	2	1/2"	5"	6"	spruce
divider	2	1/2"	4 1/2"	6"	spruce
back	1	1/4"	6 7/16"	14 7/16"	plywood



Biscuit Jointed Box

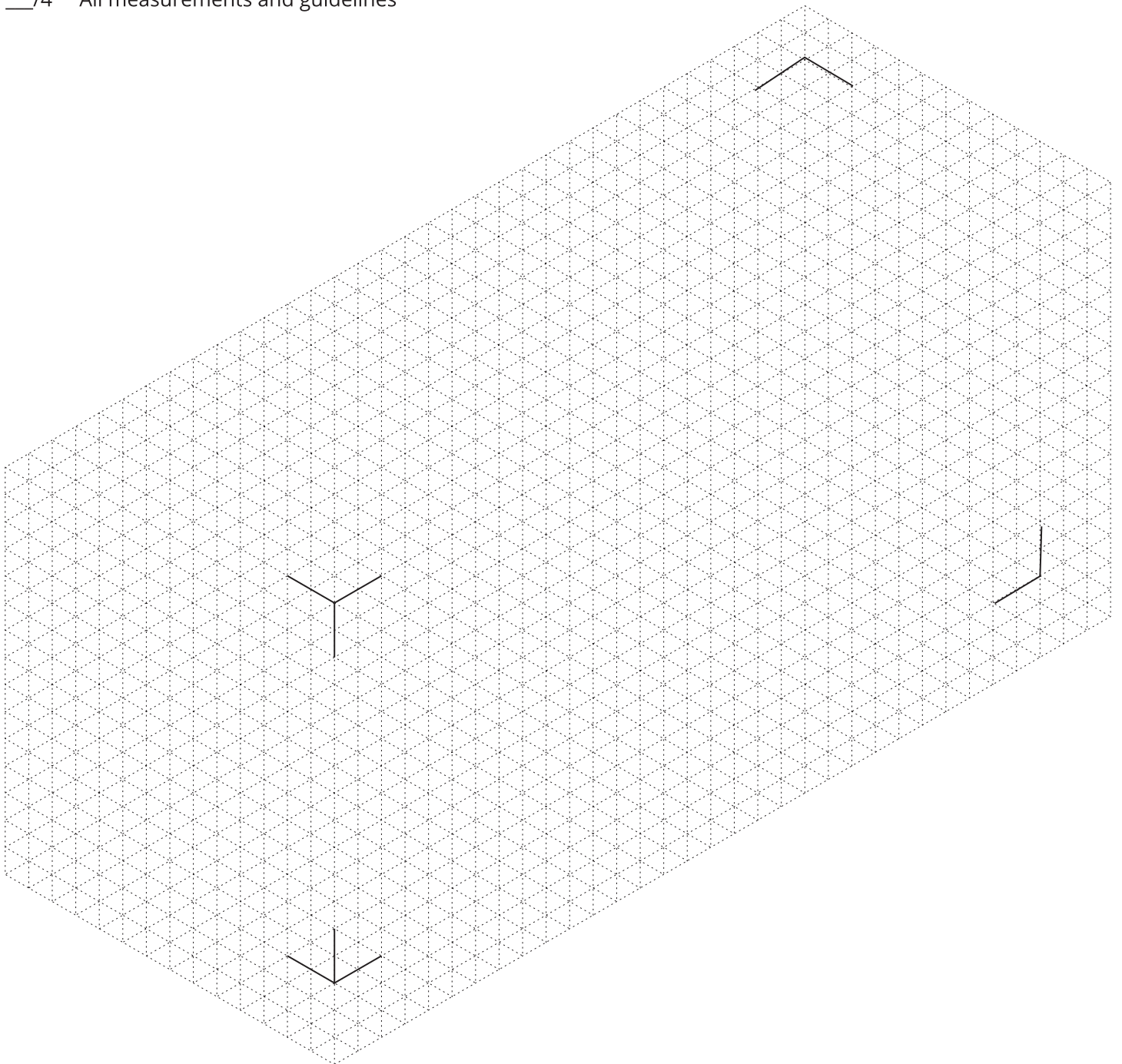
Name: _____

Isometric Drawing

Please redraw the box carefully below.

Score: ___/10

- ___/2 Clean, straight lines
- ___/4 Accurate shape and length
- ___/4 All measurements and guidelines



Dowel Jointed Box

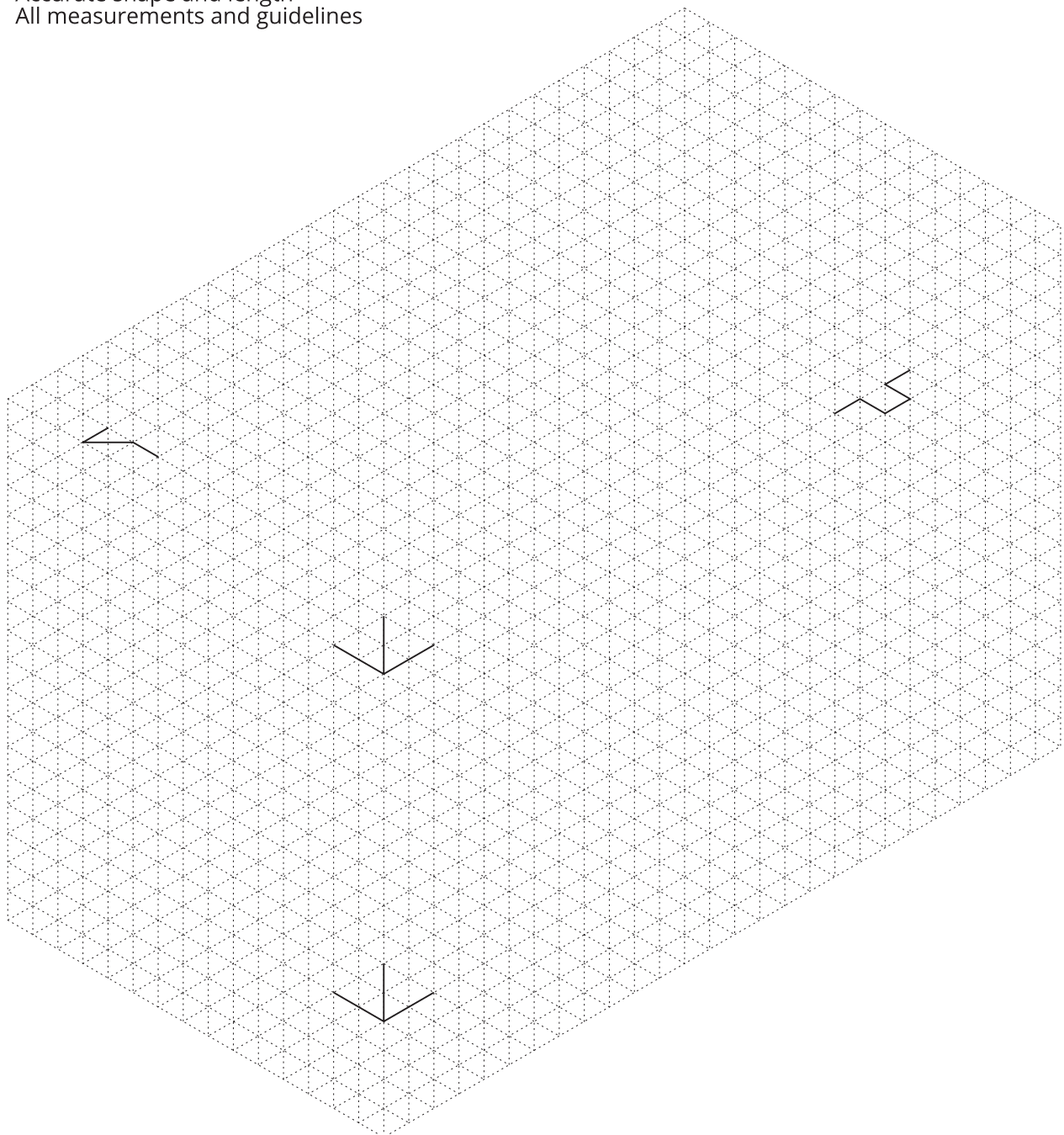
Name: _____

Isometric Drawing

Please redraw the box carefully below.

Score: ___/10

- ___/2 Clean, straight lines
- ___/4 Accurate shape and length
- ___/4 All measurements and guidelines



Box Project Planning

Dovetail jointed box with flush lid,
trimmed at the table saw

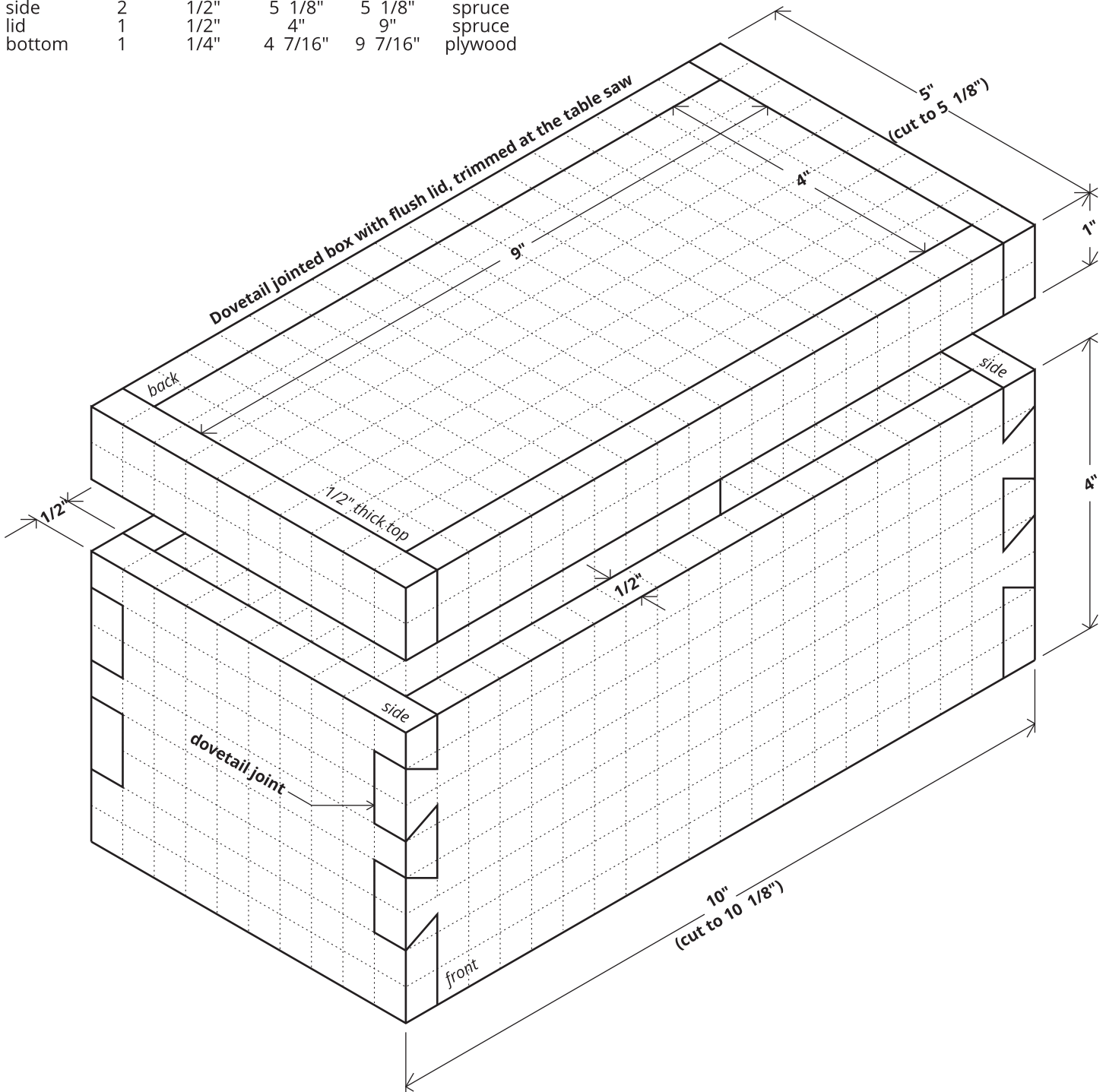
Materials List

resawn 2x6 - 48" long	1	x	\$1.57	=	\$1.57
6"x 16" plywood 1/4" thick	1	x	\$0.36	=	\$0.36
woodworking glue	1	x	\$0.25	=	\$0.25
40 grit sandpaper	1	x	\$0.22	=	\$0.22
60 grit sandpaper	1	x	\$0.22	=	\$0.22
100 grit sandpaper	1	x	\$0.22	=	\$0.22
150 grit sandpaper	1	x	\$0.22	=	\$0.22
220 grit sandpaper	1	x	\$0.22	=	\$0.22
N95 dust mask	1	x	\$1.73	=	\$1.73
pair of gloves	4	x	\$0.03	=	\$0.12
varnish	1	x	\$0.82	=	\$0.82

Total = \$5.95

Cut List

Part	#	thickness	width	length	material
front/back	2	1/2"	5 1/8"	10 1/8"	spruce
side	2	1/2"	5 1/8"	5 1/8"	spruce
lid	1	1/2"	4"	9"	spruce
bottom	1	1/4"	4 7/16"	9 7/16"	plywood



Dovetailed Box

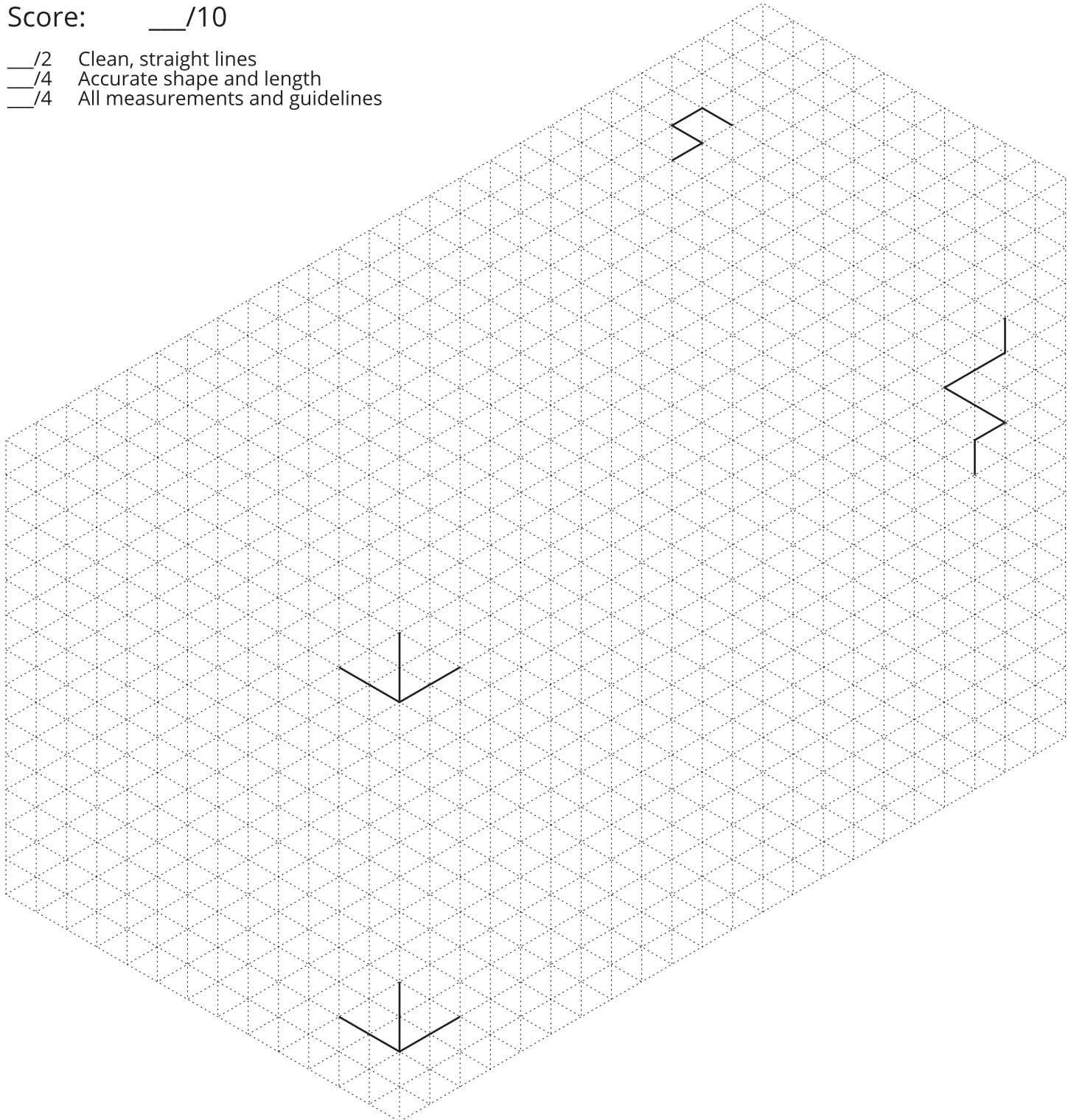
Name: _____

Isometric Drawing

Please redraw the box carefully below.

Score: ___/10

- ___/2 Clean, straight lines
- ___/4 Accurate shape and length
- ___/4 All measurements and guidelines



Box Project Planning

Finger jointed box with two drawers

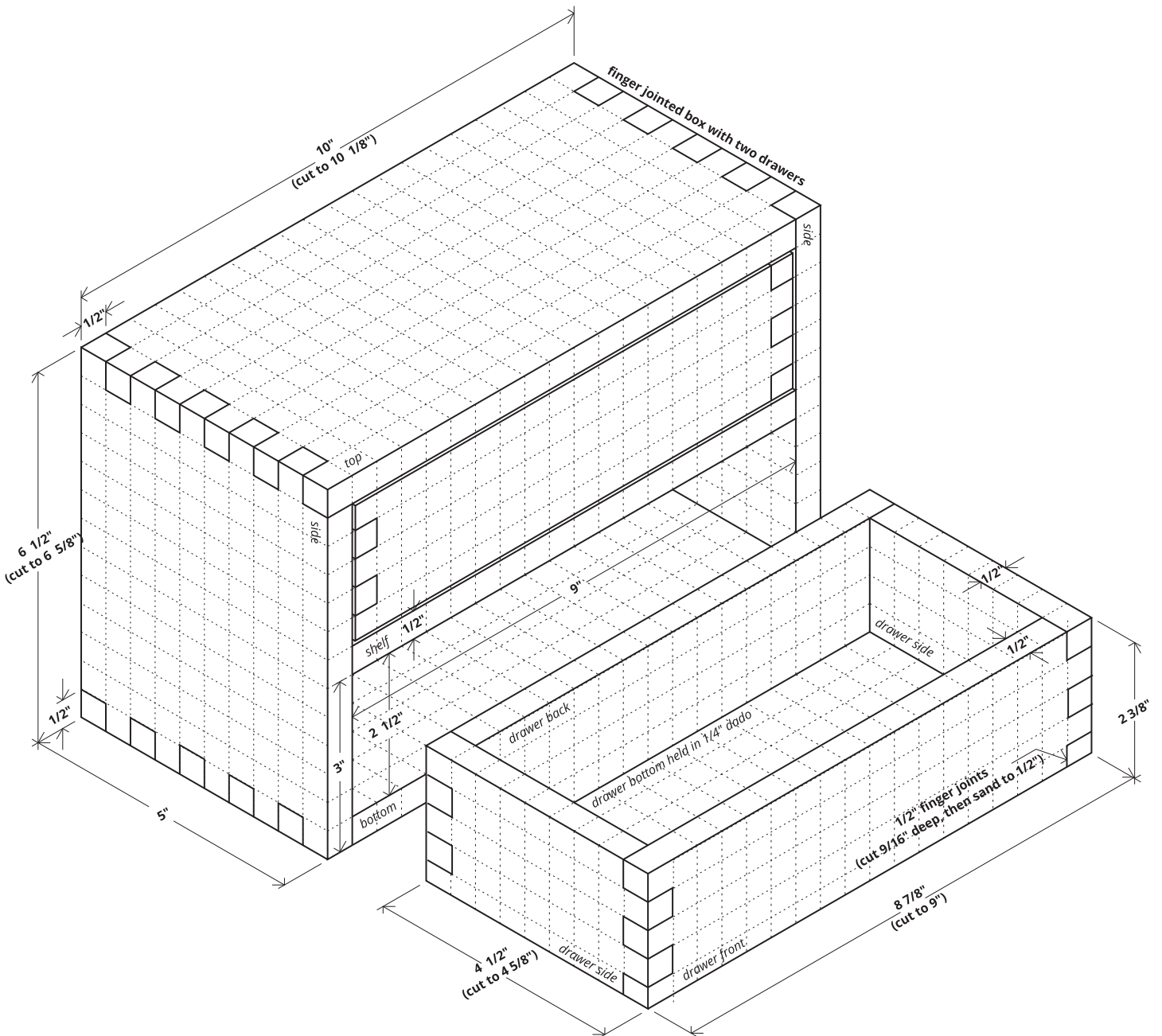
Materials List

resawn 2x6 - 48" long	1	x	\$1.57	=	\$1.57
resawn 2x6 - 32" long	1	x	\$1.05	=	\$1.05
6"x 16" plywood 1/4" thick	1	x	\$0.36	=	\$0.36
8"x 16" plywood 1/4" thick	1	x	\$0.50	=	\$0.50
woodworking glue	1	x	\$0.25	=	\$0.25
40 grit sandpaper	1	x	\$0.22	=	\$0.22
60 grit sandpaper	1	x	\$0.22	=	\$0.22
100 grit sandpaper	1	x	\$0.22	=	\$0.22
150 grit sandpaper	1	x	\$0.22	=	\$0.22
220 grit sandpaper	1	x	\$0.22	=	\$0.22
N95 dust mask	1	x	\$1.73	=	\$1.73
pair of gloves	4	x	\$0.03	=	\$0.12
varnish	1	x	\$0.82	=	\$0.82

Cut List

Part	#	thickness	width	length	material
top/bottom	2	1/2"	5"	10 1/8"	spruce
side	2	1/2"	5"	6 5/8"	spruce
shelf	1	1/2"	4 1/2"	9"	spruce
back	1	1/4"	6 7/16"	9 7/16"	plywood
drawer side	4	1/2"	2 3/8"	4 7/16"	spruce
dwr fnt/back	4	1/2"	2 3/8"	9"	spruce
dwr bottom	2	1/4"	3 15/16"	8 5/16"	plywood

Total = \$7.50



Finger Jointed Drawers

Name: _____

Isometric Drawing

Please redraw the box carefully below.

Score: ___/10

- ___/2 Clean, straight lines
- ___/4 Accurate shape and length
- ___/4 All measurements and guidelines

