

Isometric Joinery I

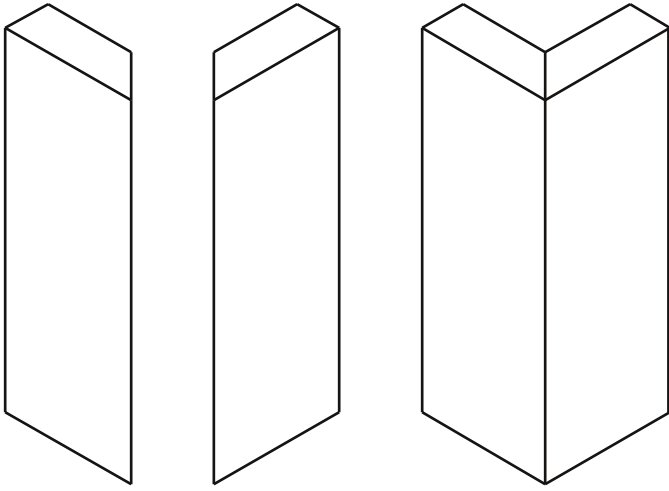
Please carefully redraw each kind of joinery.

Name: _____

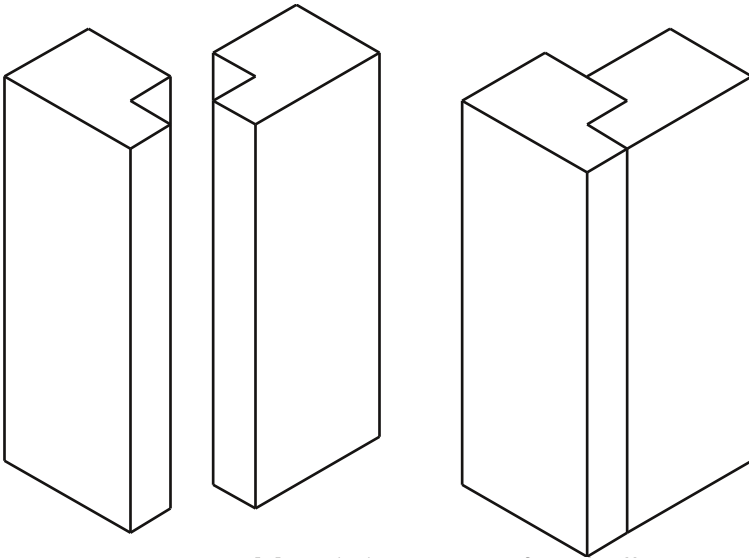
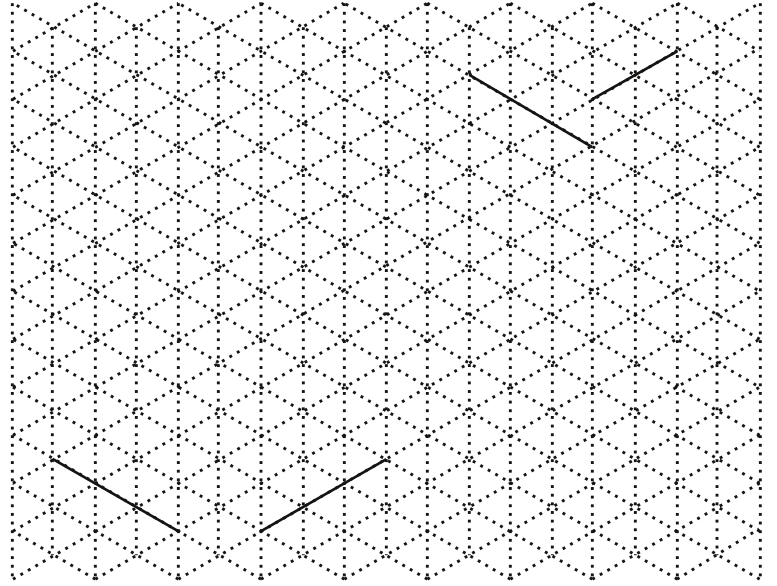
Score: __/10

___/4 Neat, clean lines

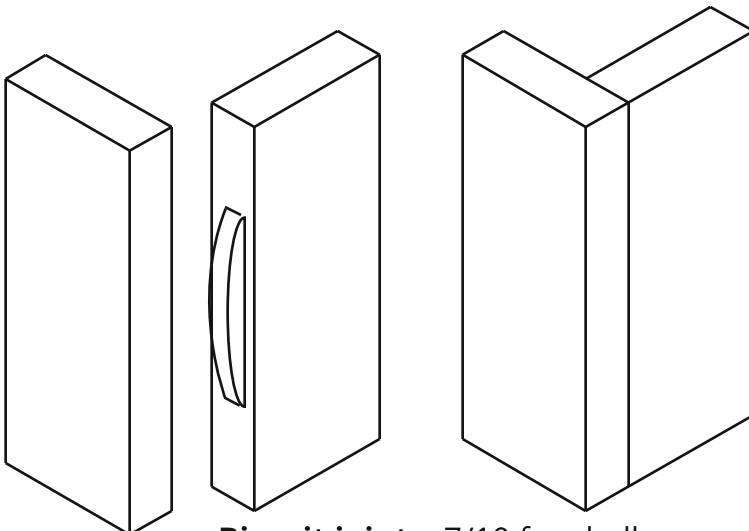
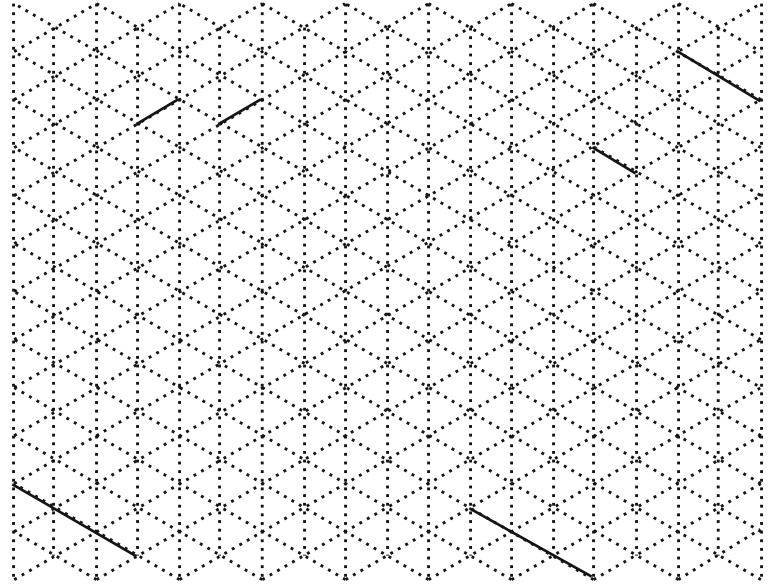
___/6 Accurate, full drawing



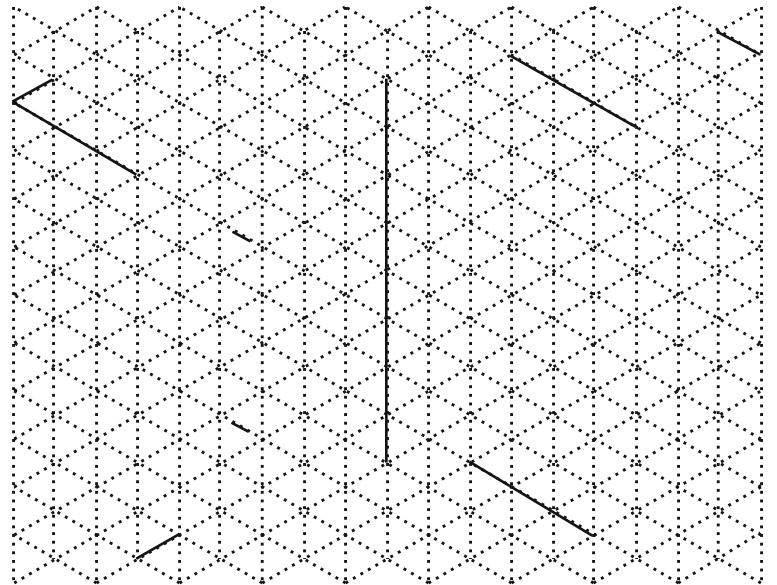
Mitre joint = 5/10 for challenge



Rabbet joint = 6/10 for challenge



Biscuit joint = 7/10 for challenge



Isometric Joinery II

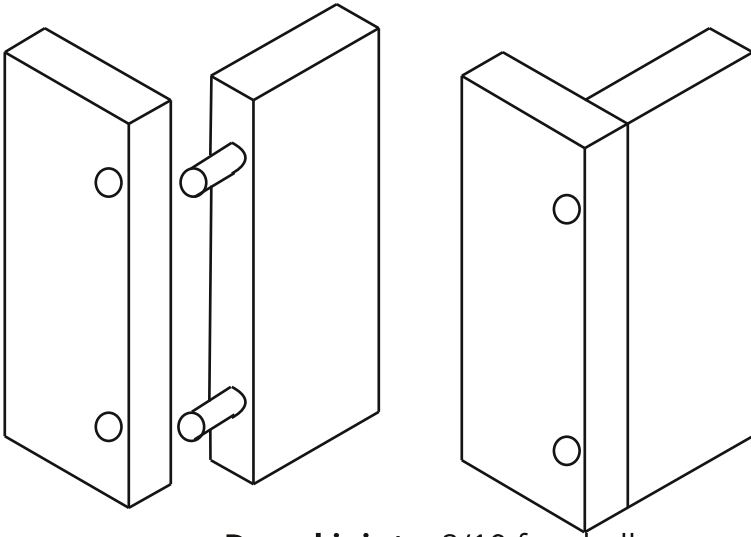
Please carefully redraw each kind of joinery.

Name: _____

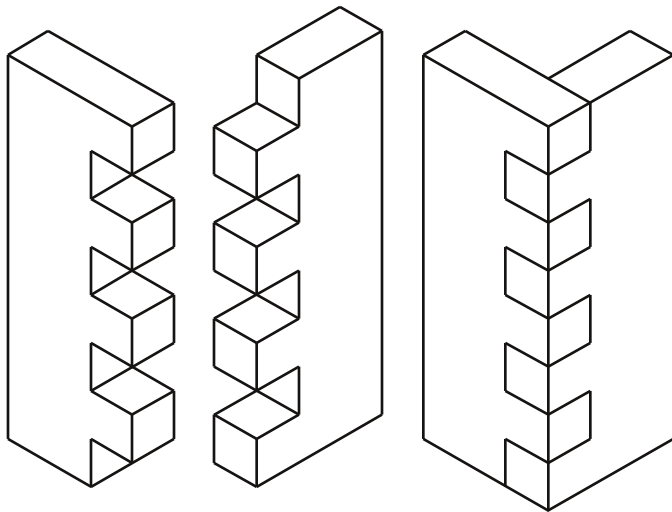
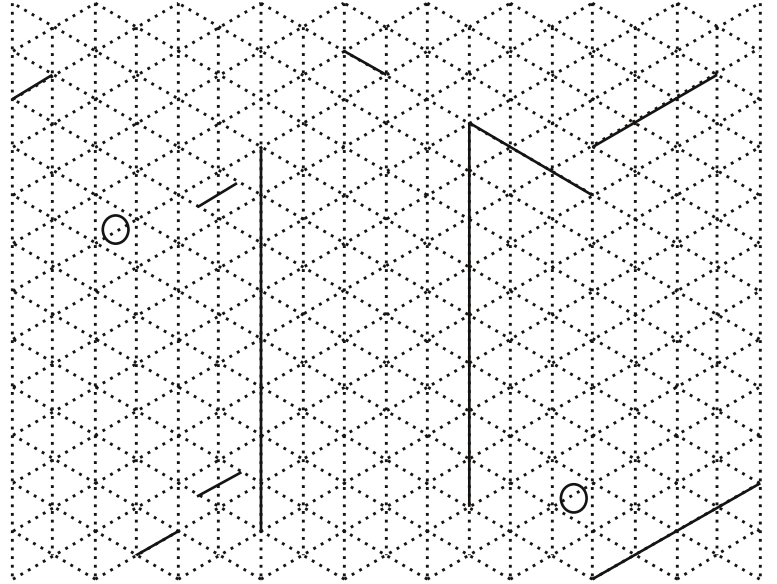
Score: __/10

___/4 Neat, clean lines

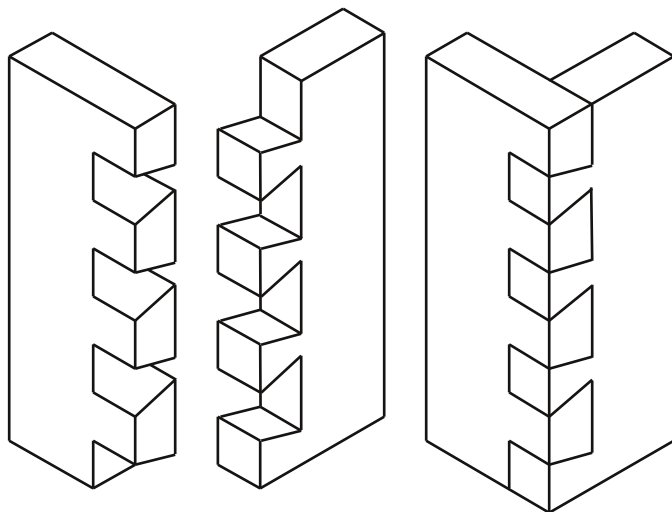
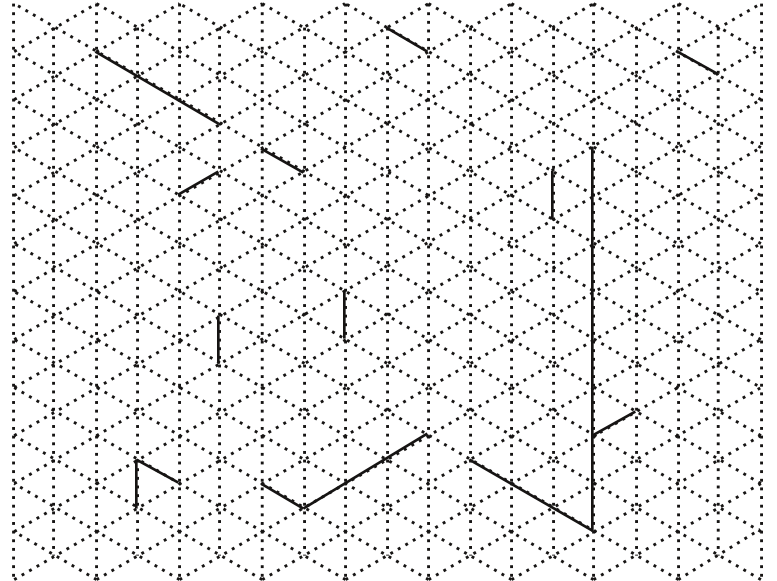
___/6 Accurate, full drawing



Dowel joint = 8/10 for challenge



Finger joint = 9/10 for challenge



Dovetail joint = 10/10 for challenge

