

# Basic Workshop Drawing I

Redraw the following. Use a ruler for straight lines. Add the measurement numbers. Make sure you count the squares accurately.

Name: \_\_\_\_\_

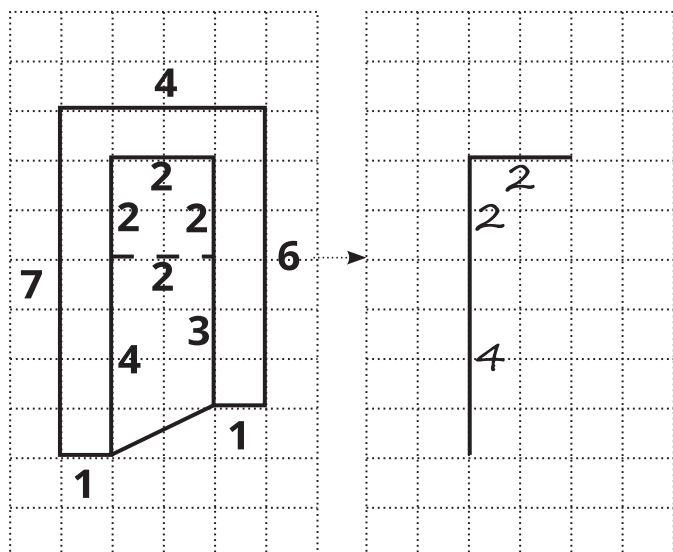
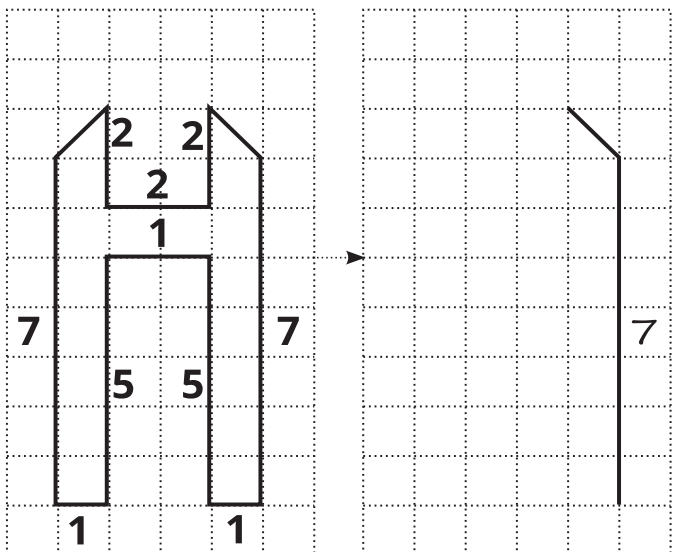
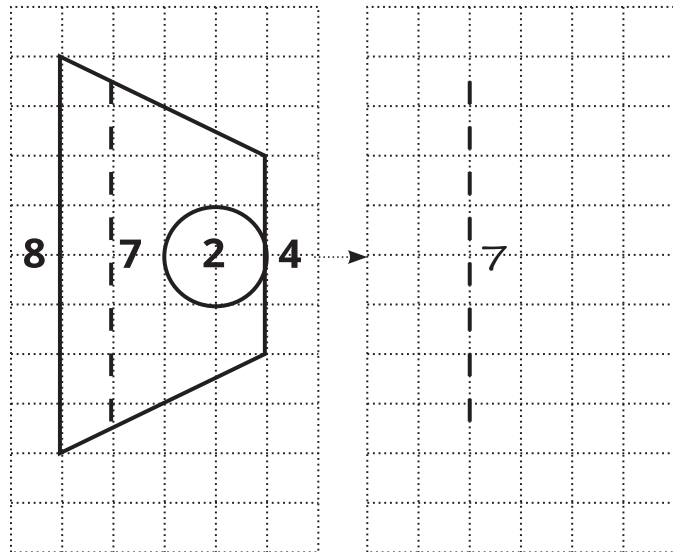
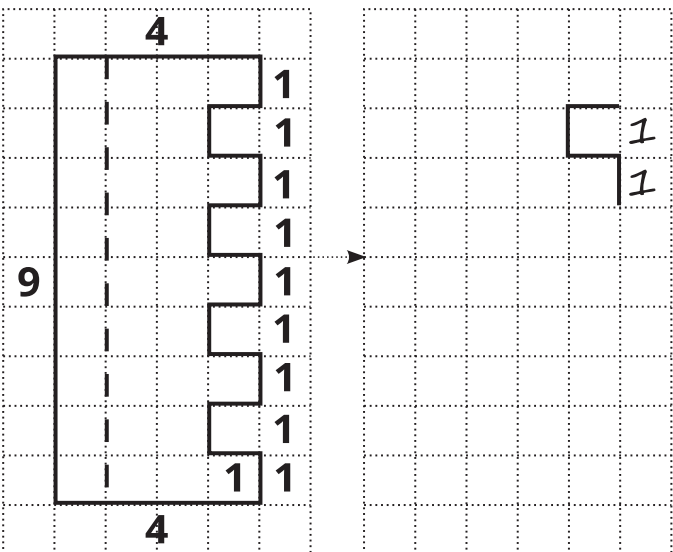
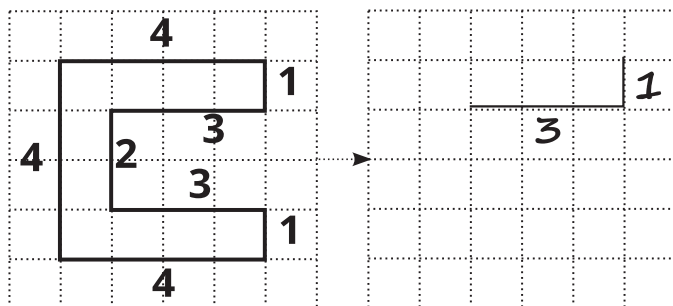
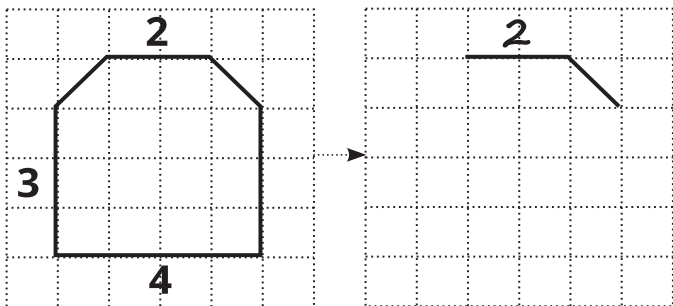
Score: \_\_\_\_\_

/10

\_\_\_/2 clean, straight lines

\_\_\_/3 all recorded measurements

\_\_\_/5 accurate shape and length

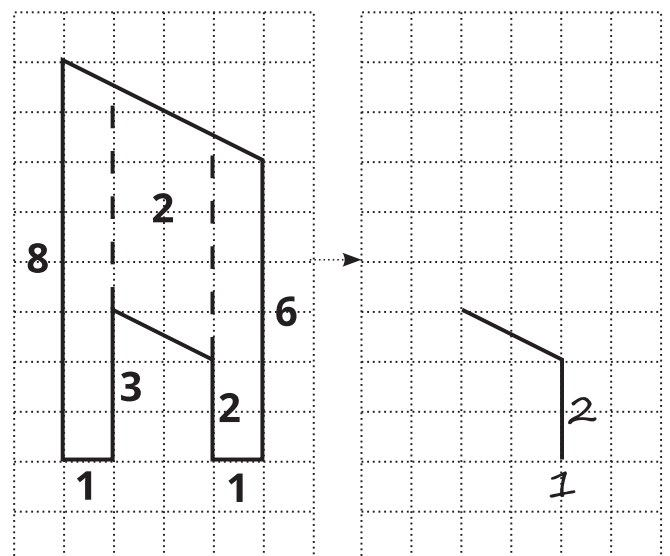
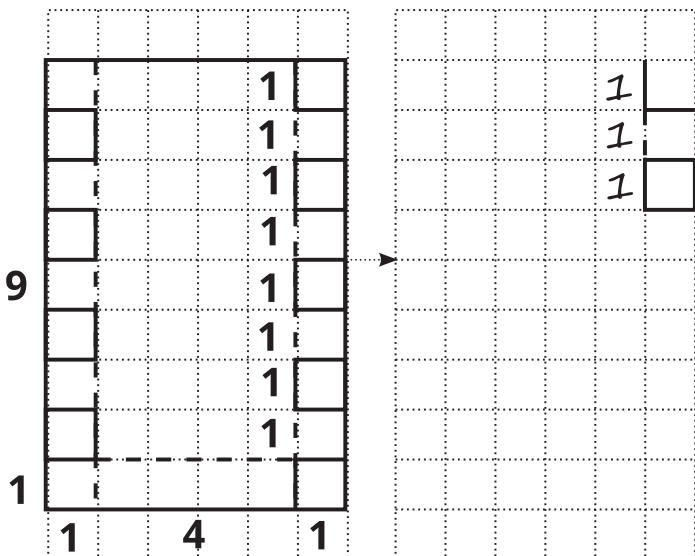
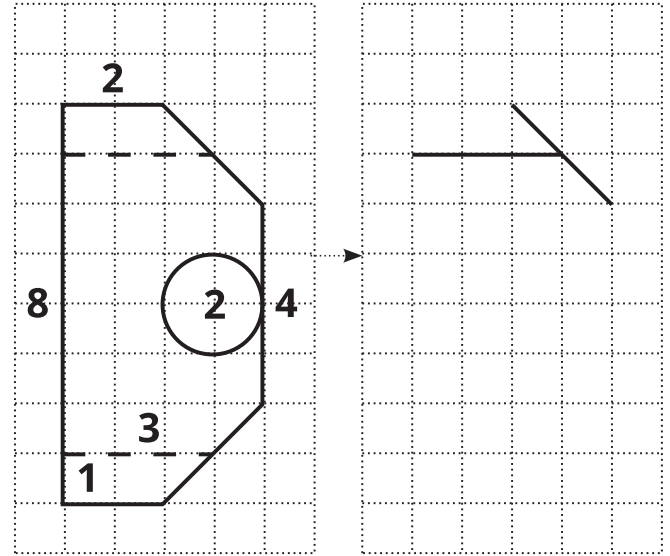
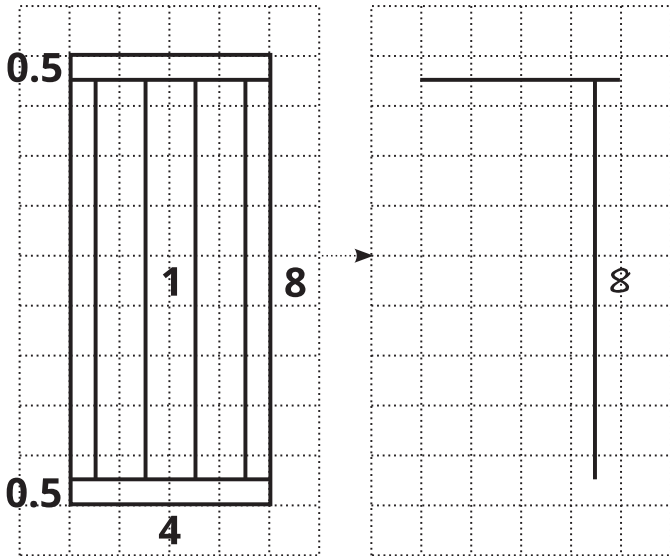
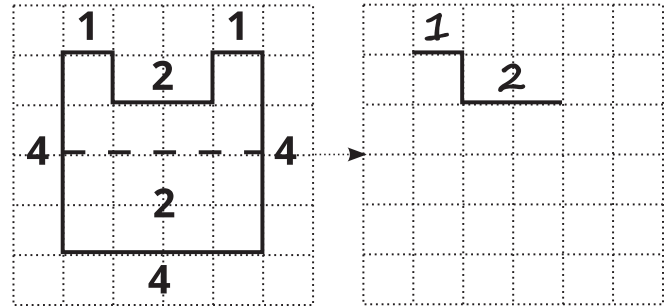
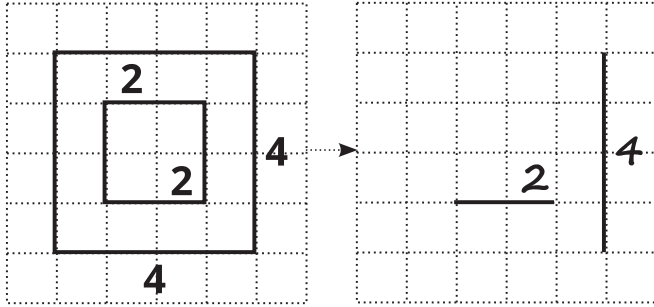


# Basic Workshop Drawing II

Redraw the following. **Use a ruler for straight lines.** Add the measurement numbers. Make sure you count the squares accurately.

Name: \_\_\_\_\_

Score: \_\_\_\_\_ /10  
 \_\_\_/2 clean, straight lines  
 \_\_\_/3 all recorded measurements  
 \_\_\_/5 accurate shape and length



# Basic Workshop Drawing III

Redraw the following. Use a ruler for straight lines. Add the measurement numbers. Make sure you count the squares accurately.

Name: \_\_\_\_\_

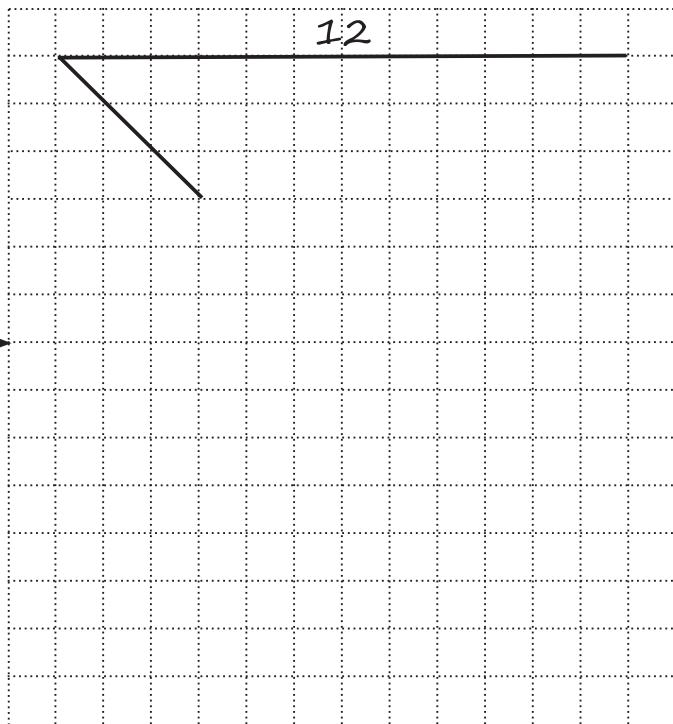
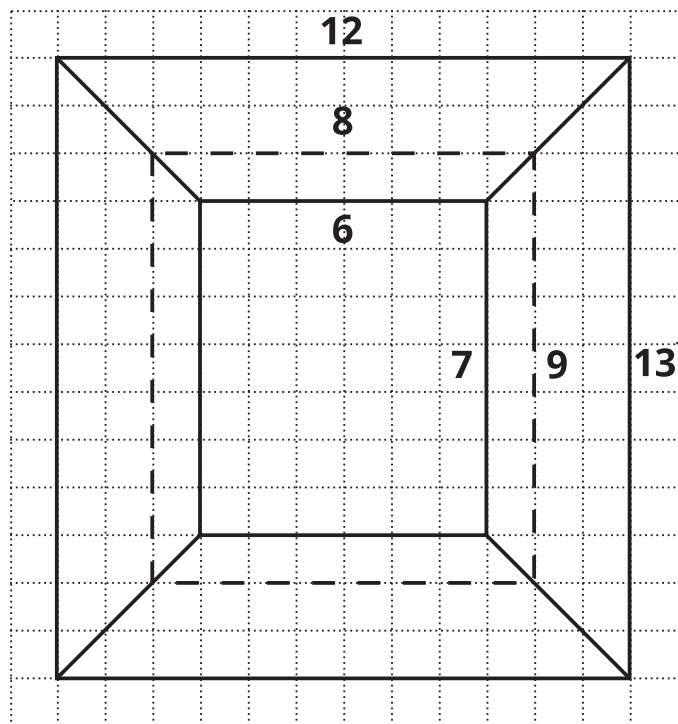
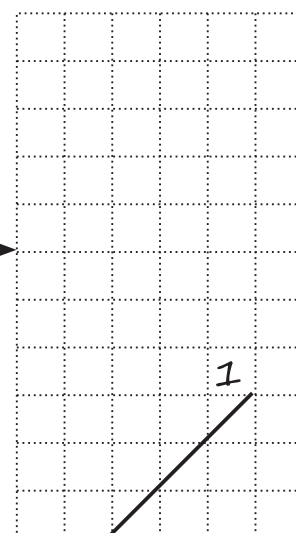
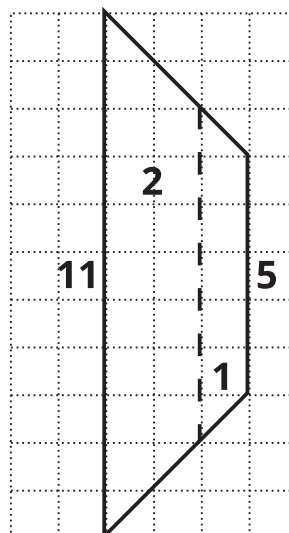
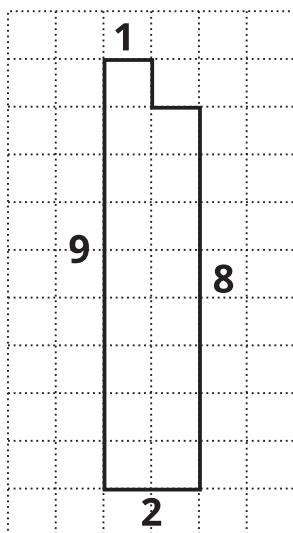
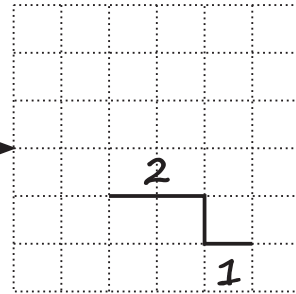
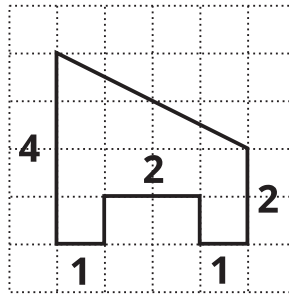
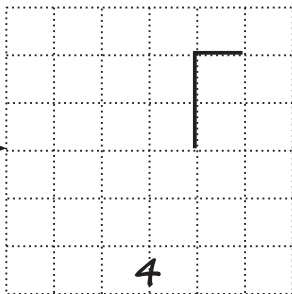
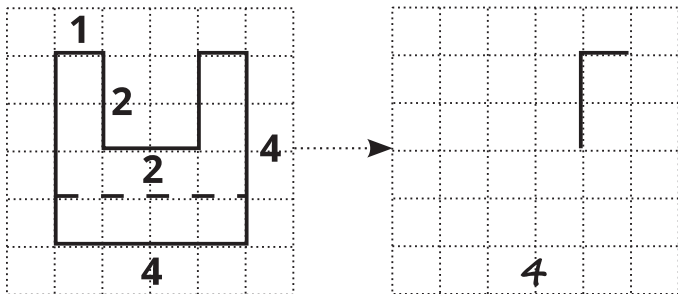
Score: \_\_\_\_\_

/10

\_\_\_/2 clean, straight lines

\_\_\_/3 all recorded measurements

\_\_\_/5 accurate shape and length



# Picture Frame Drawing

Redraw the following. Use a ruler for straight lines. Add the measurement numbers. Make sure you count the squares accurately.

Name: \_\_\_\_\_

Score: \_\_\_\_\_ /10  
\_\_\_/2 clean, straight lines  
\_\_\_/3 all recorded measurements  
\_\_\_/5 accurate shape and length

