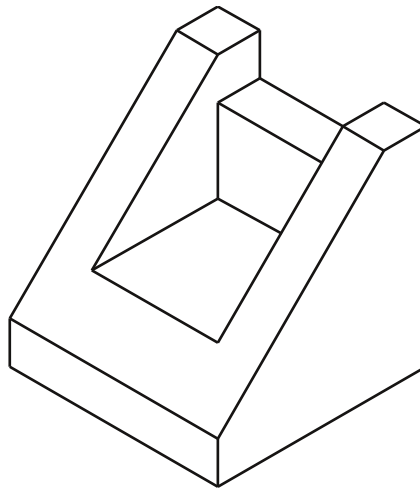
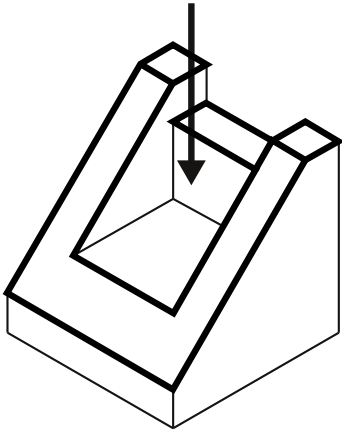


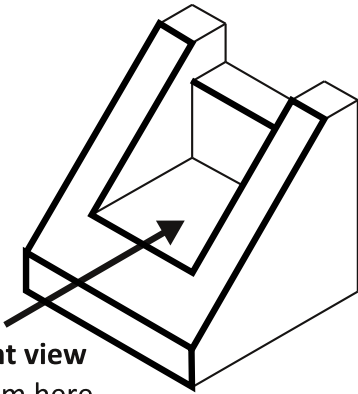
Orthographic Drawing

Name: _____

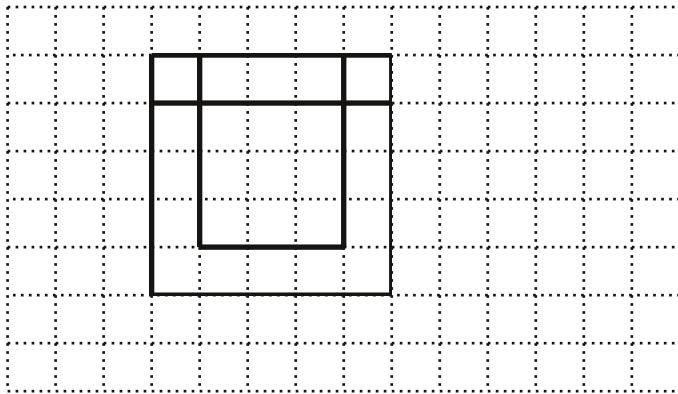
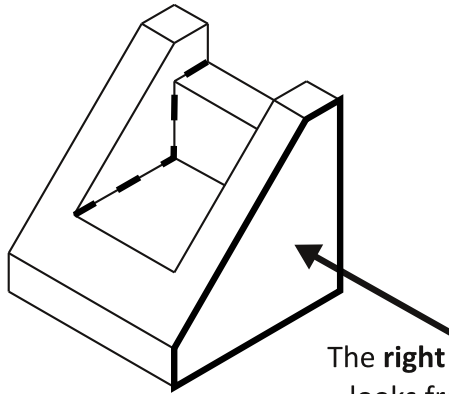
The **top view** looks down from here



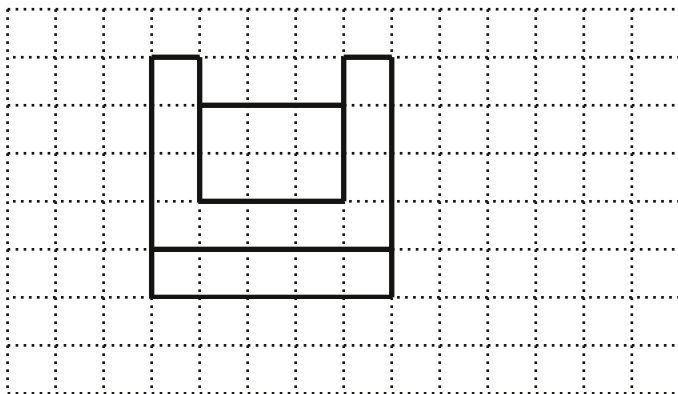
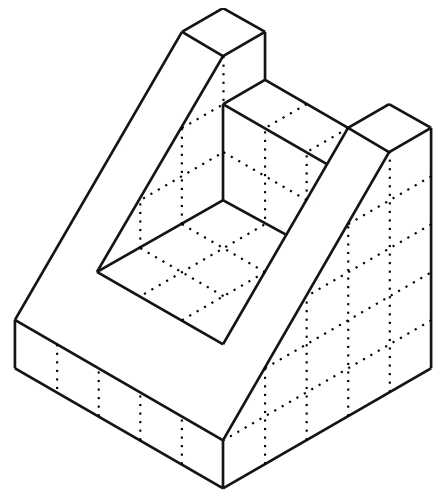
The **front view** looks from here



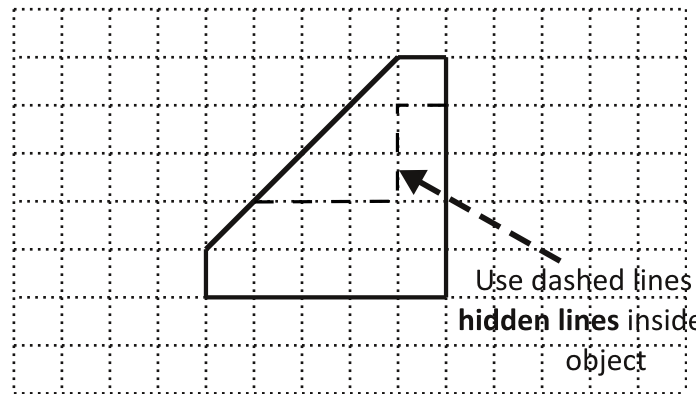
The **right side view** looks from here



Top view



Front view



Right side view

Use dashed lines for **hidden lines** inside the object

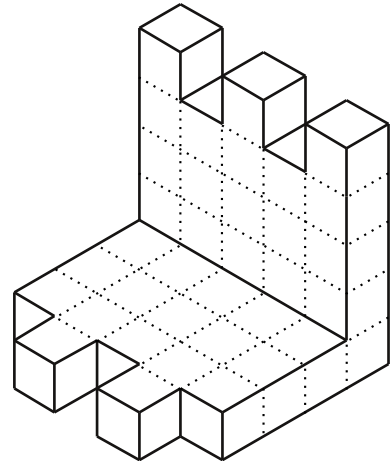
Orthographic Drawing I

___/7 Drawing accuracy

___/3 Neatness and Precision



Top view



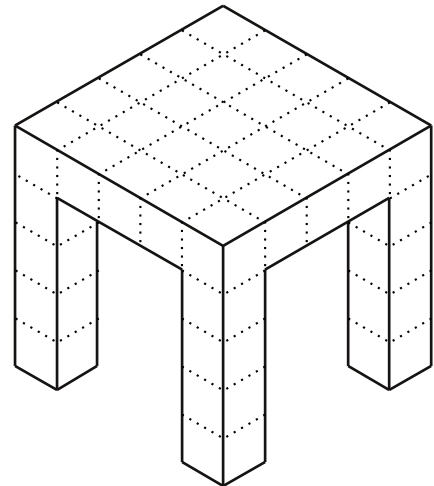
Front view



Right side view



Top view



Front view



Right side view

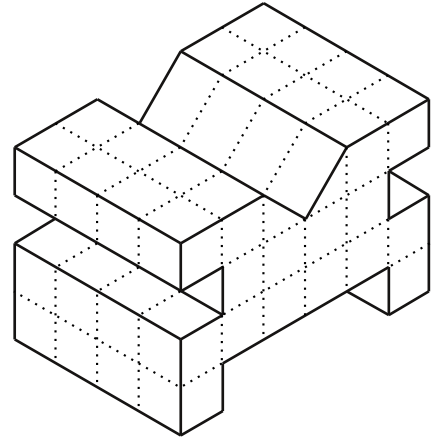
Orthographic Drawing II

___/7 Drawing accuracy

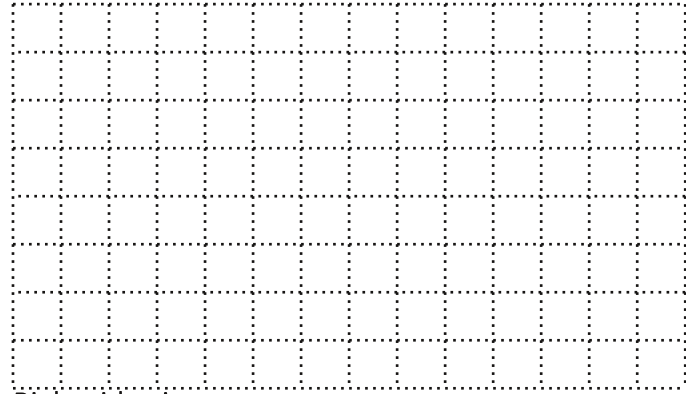
___/3 Neatness and Precision



Top view



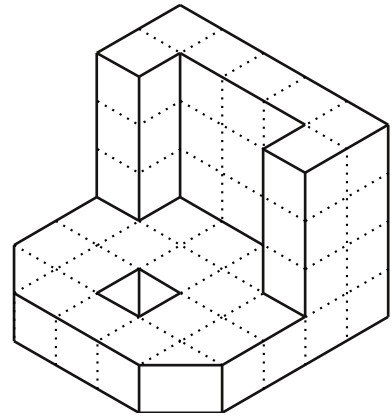
Front view



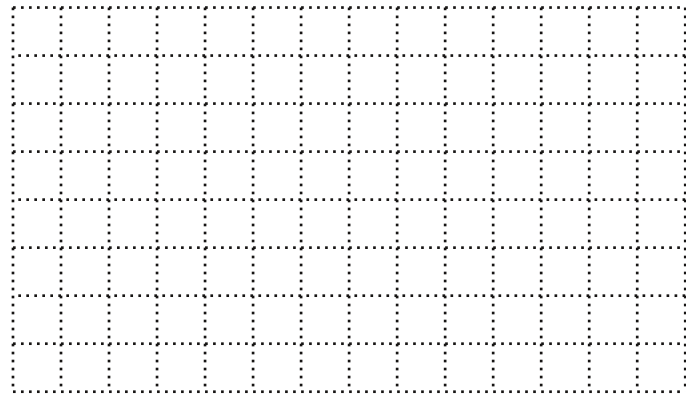
Right side view



Top view



Front view

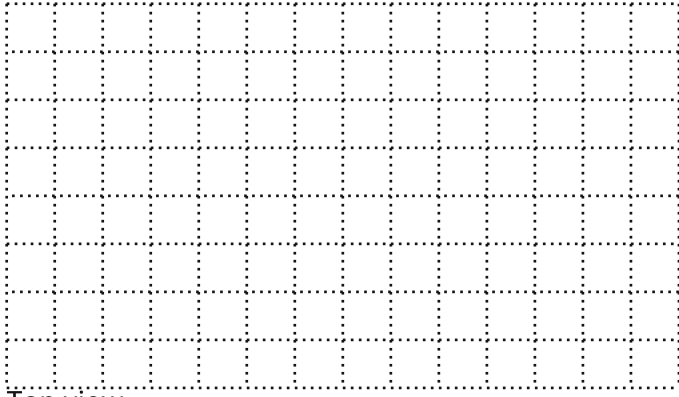


Right side view

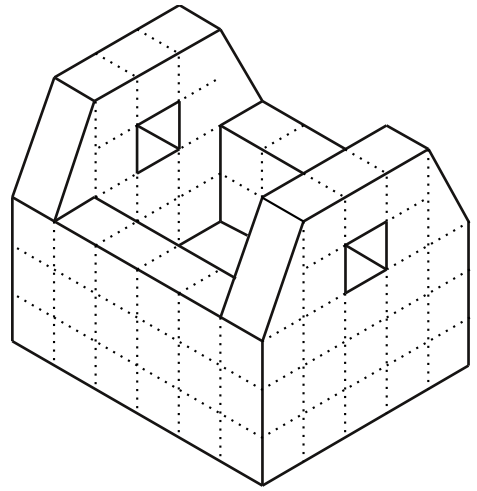
Orthographic Drawing III

___/7 Drawing accuracy

___/3 Neatness and Precision



Top view



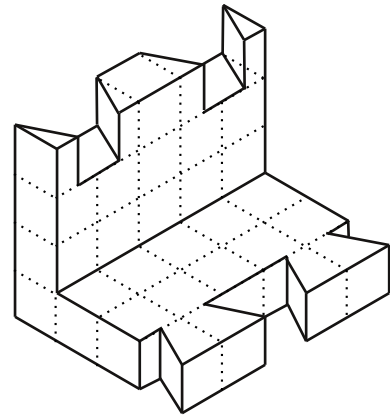
Front view



Right side view



Top view



Front view



Right side view