

The Bare Minimum Plant Stand

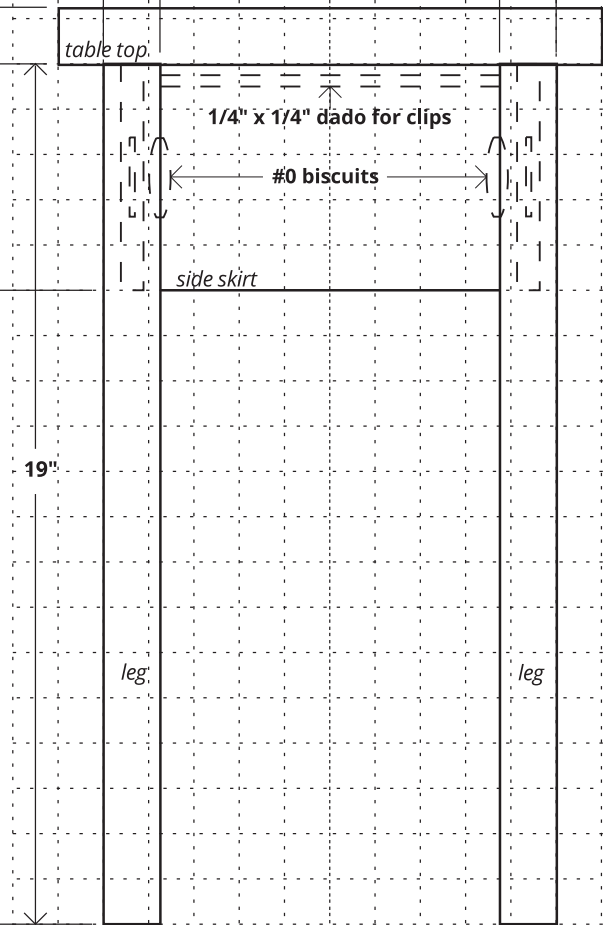
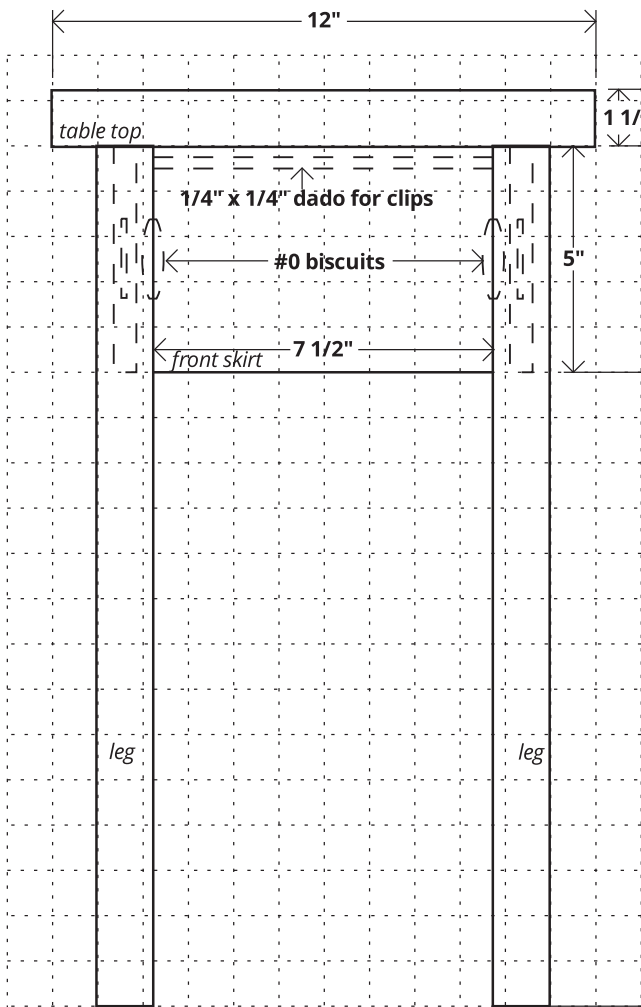
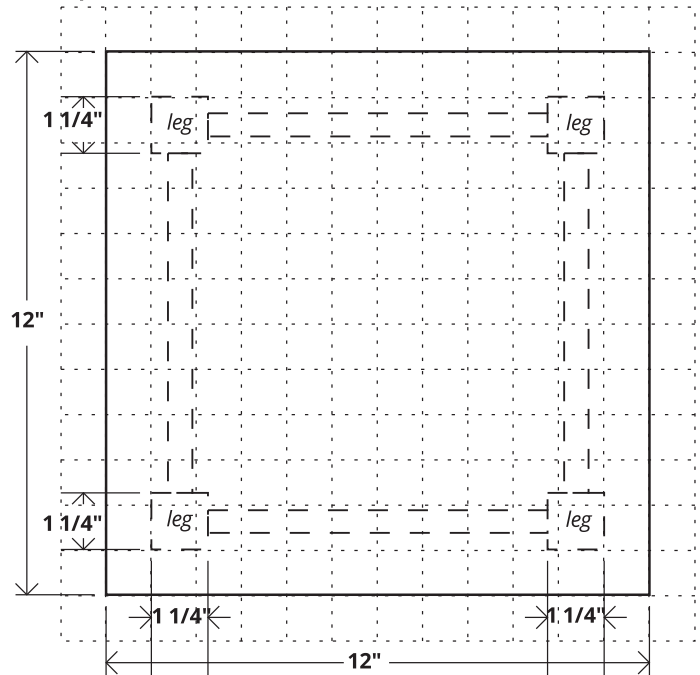
You will need to get the following materials:

Table top **1 1/4" x 12" x 12"**
 4 - 16" long 2x4s
 4 - #8 x 1 1/4" wood screws
 4 - table top clips

Table legs **4 pieces: 1 1/4" x 1 1/4" x 19"**
 8 - #0 biscuits
 2 - 24" long 2x4s

Table skirt **4 pieces: 1/2" x 5" x 7 1/2"**
 1 - 32" long resawn 2x6

top view

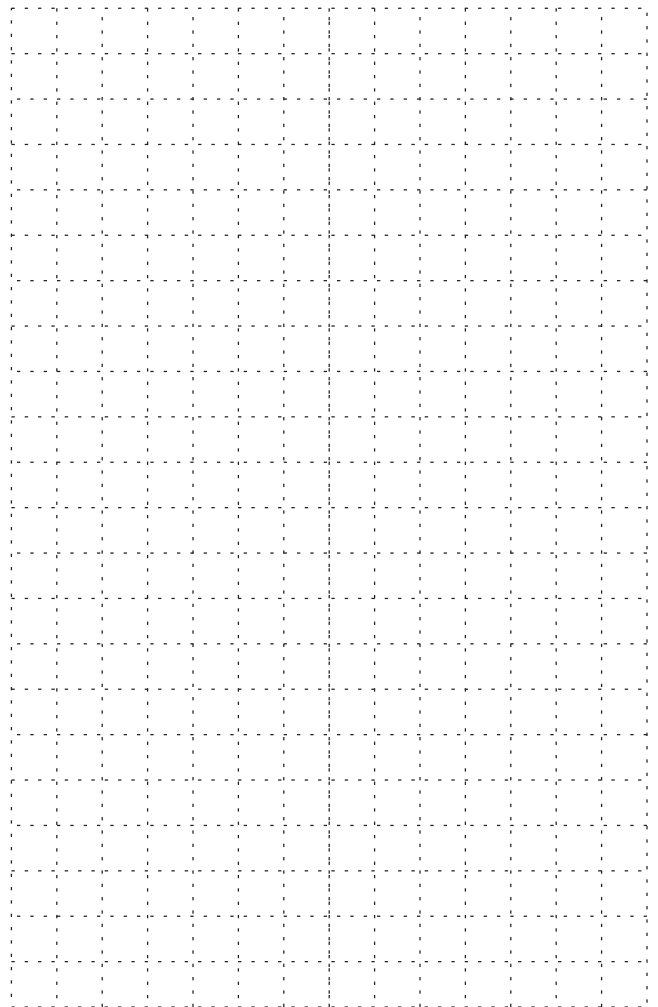
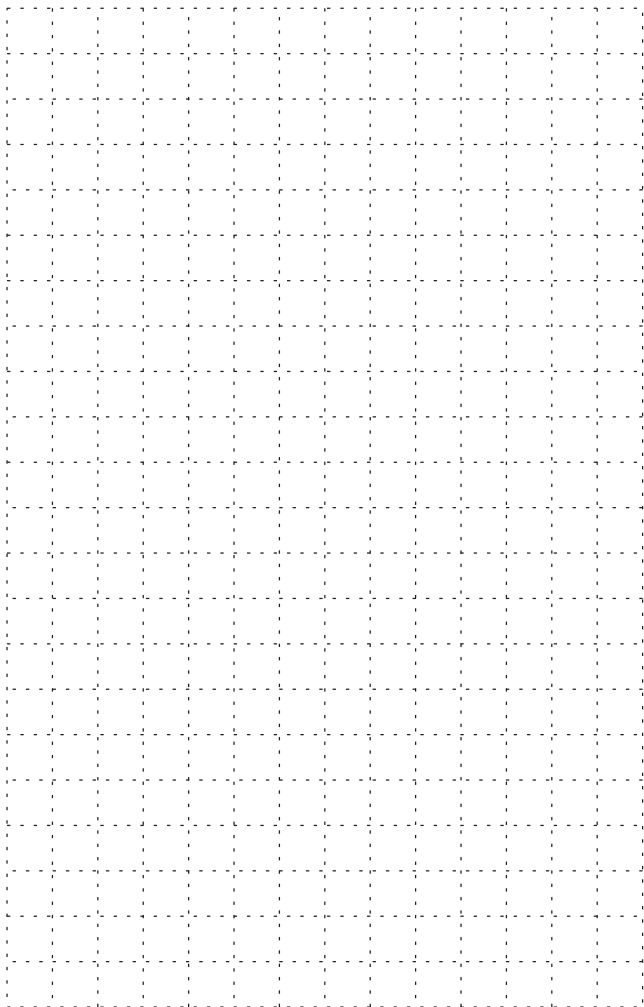
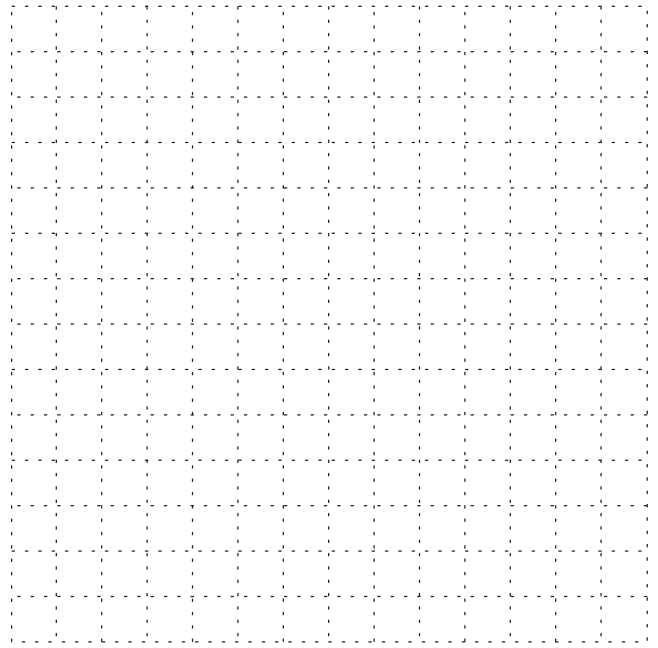
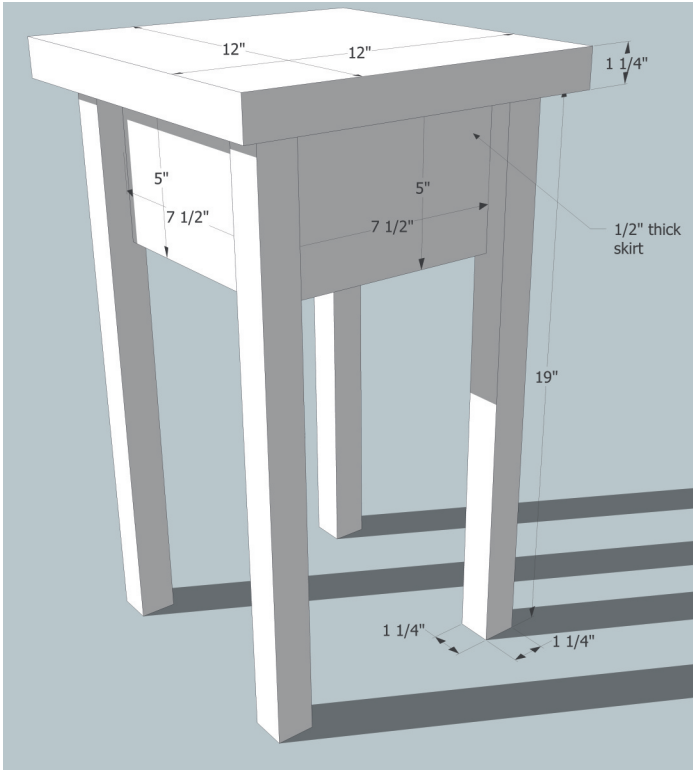


front view

side view

Name:

- ___/4 Correct and complete drawing
- ___/3 Complete measurements
- ___/3 Neatness and accuracy



The Standard Side Table

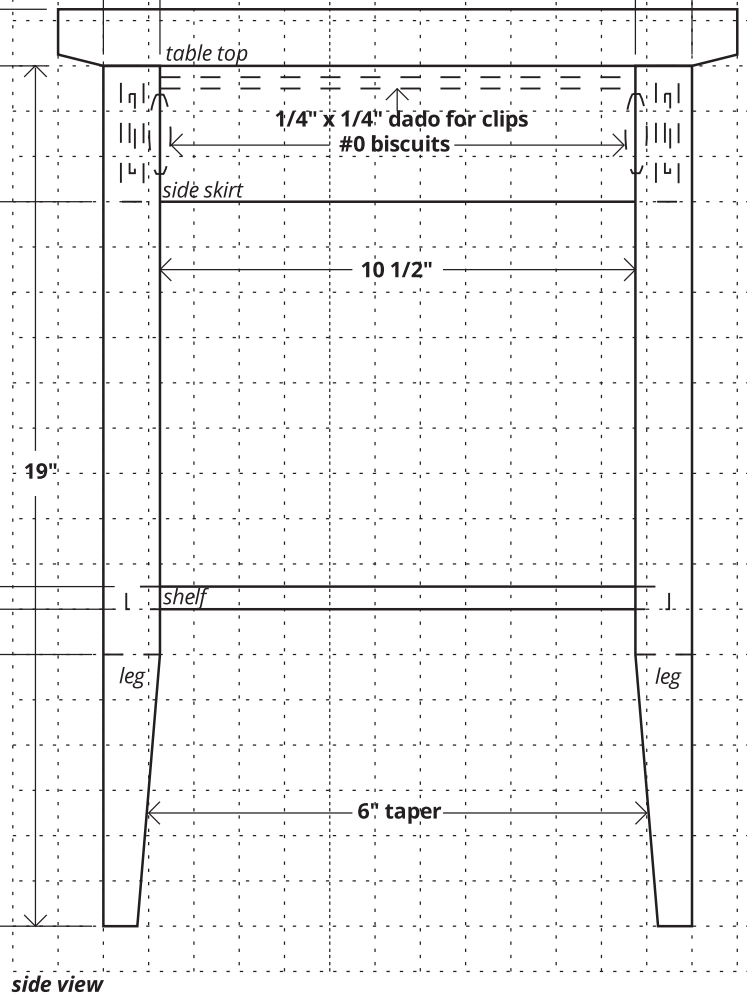
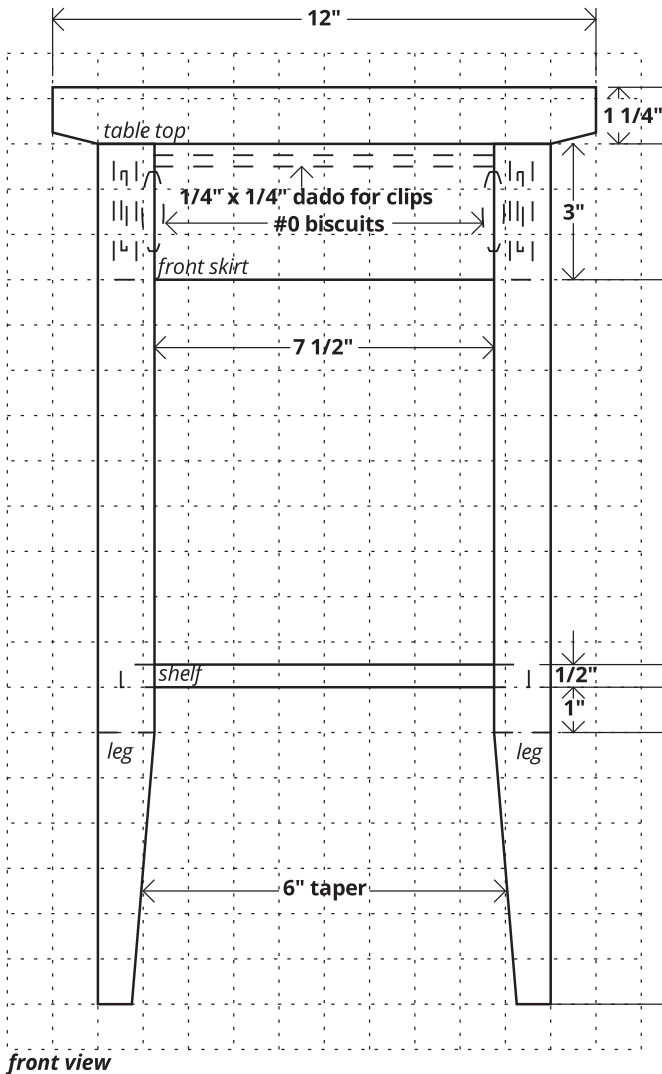
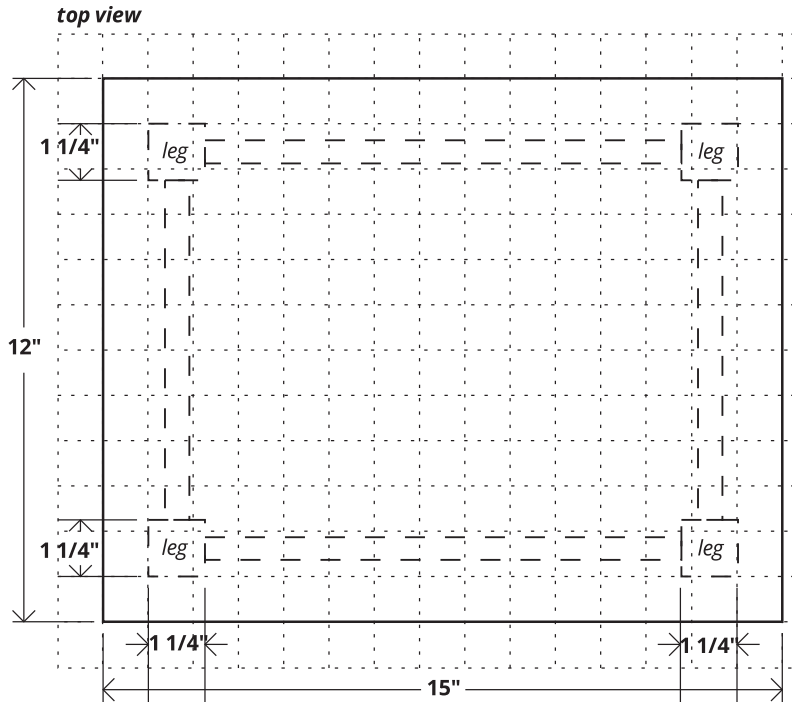
You will need to get the following materials:

Table top **1 1/4 x 12 x 15"**
 4 - 16" long 2x4s
 4 - #8 x 1 1/4" wood screws
 4 - table top clips

Table legs - **4 pieces: 1 1/4 x 1 1/4 x 19"**
 8 - #0 biscuits
 2 - 24" long 2x4s

Table skirt -
2 pieces: 1/2 x 3 x 7 1/2"
2 pieces: 1/2 x 3 x 10 1/2"
 1 - 48" long resawn 2x4

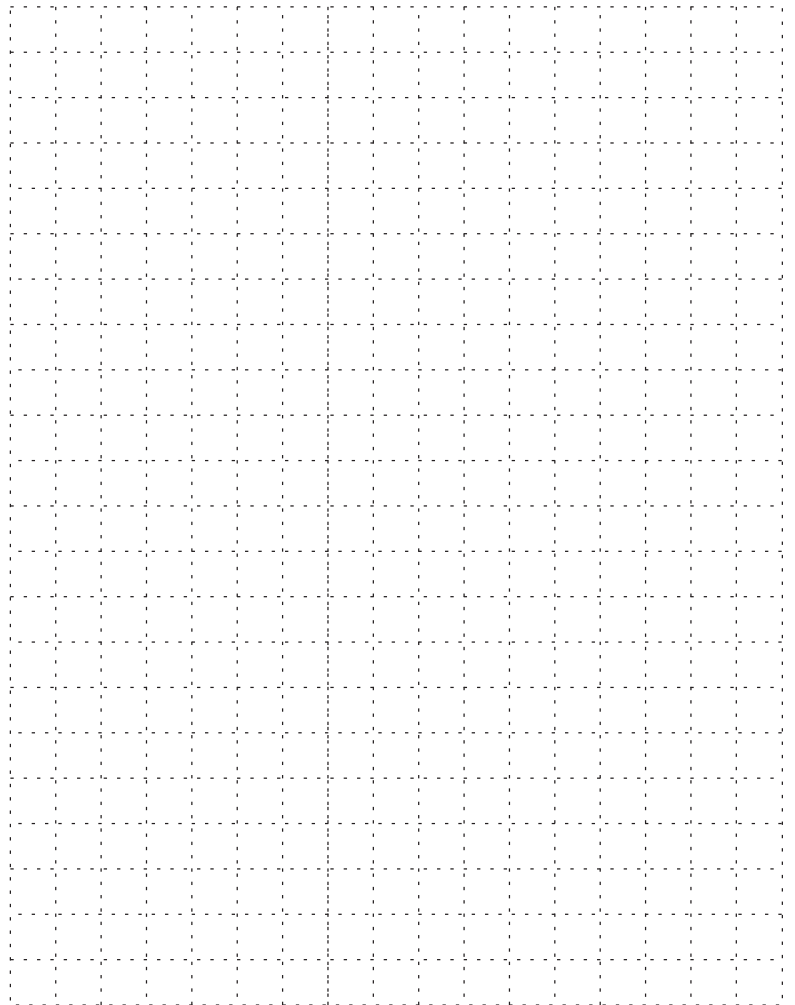
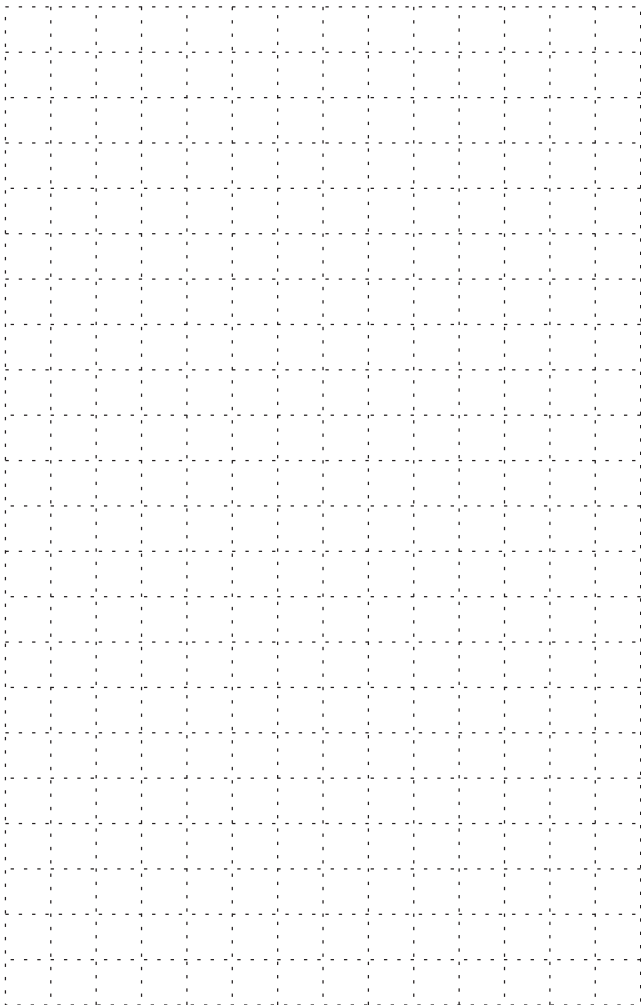
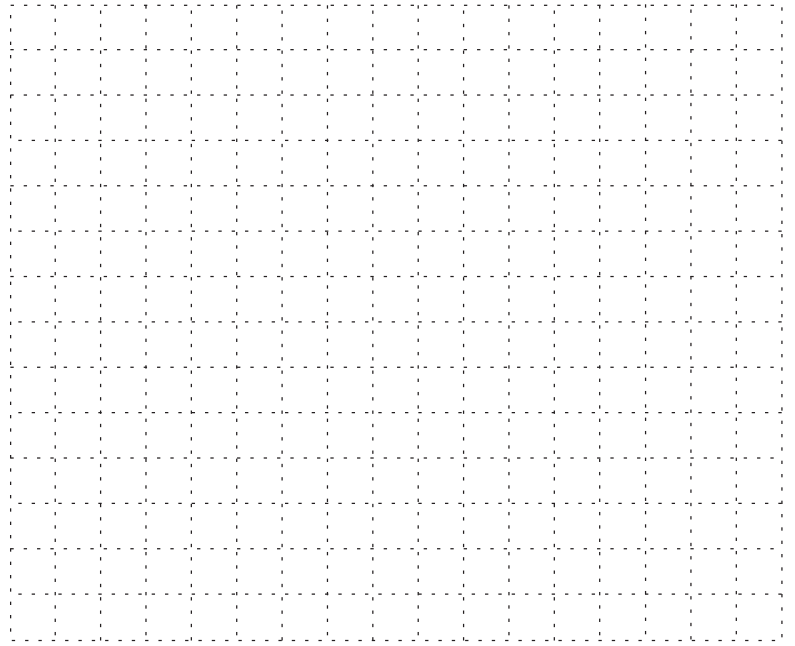
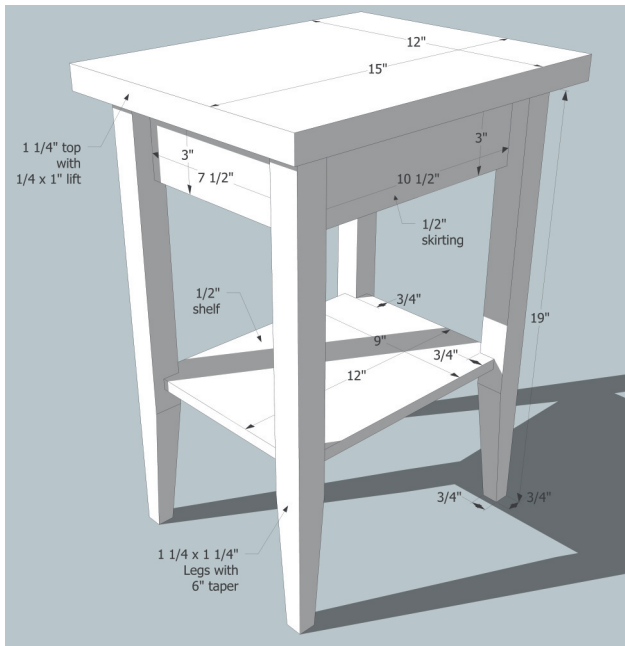
Shelf **1/2" x 9 x 12"**
 3 - 16" long resawn 2x4s
 4 - 1/4" x 1 1/2" dowels



Please complete a orthographic drawing of your table. Remember to have clean, straight lines, accurate shapes, with well-labels measurements.

Name:

- ___/4 Correct and complete drawing
- ___/3 Complete measurements
- ___/3 Neatness and accuracy



The Round Side Table

You will need to get the following materials:

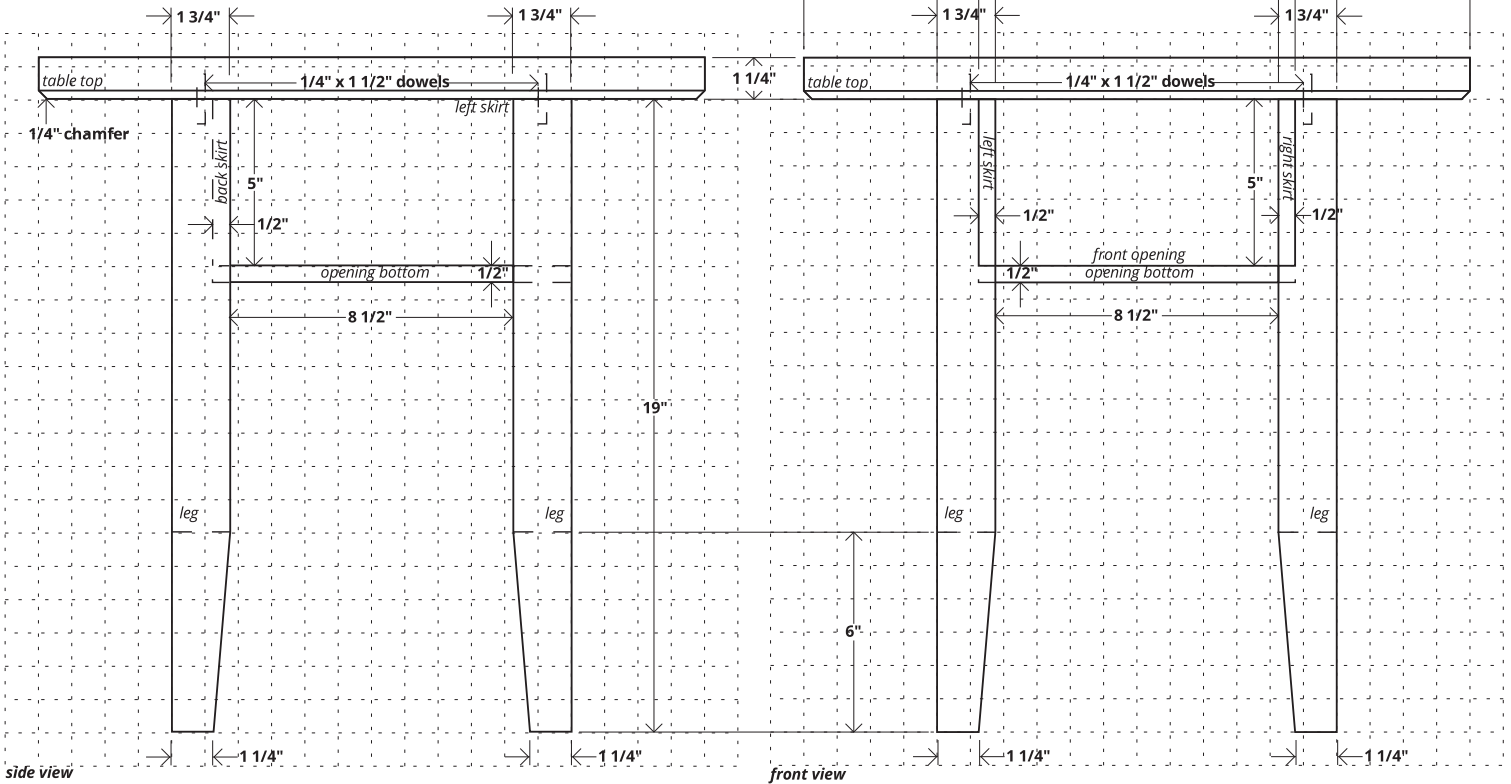
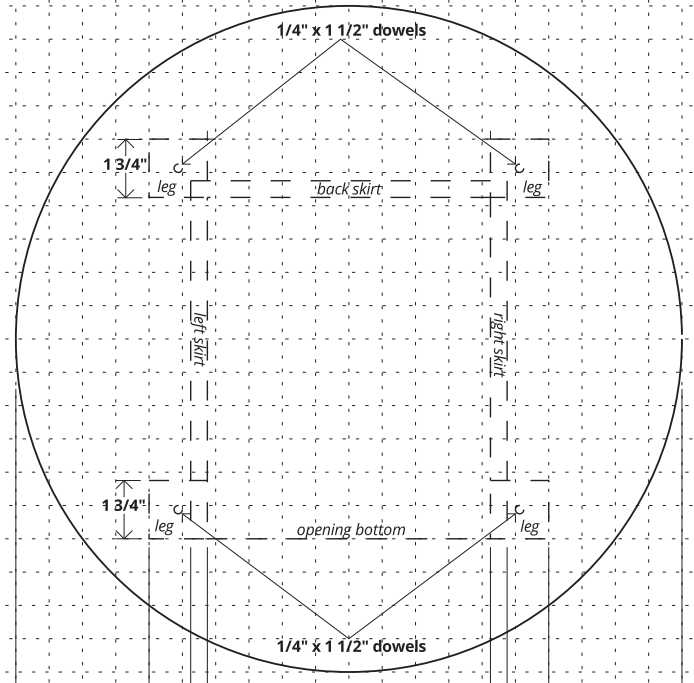
Table top **1 1/4 x 20" diameter**
7 - 24" long 2x4s

Table legs **4 pieces: 1 3/4 x 1 3/4 x 19"**
4 - 24" long 2x6s
4 - 1/4" x 1 1/2" dowels

Table skirt **2 pieces: 1/2 x 5 x 9"**
 1 piece: 1/2 x 5 x 9 1/2"
1 - 48" long resawn 2x6

Shelf **1/2 x 9 1/2 x 10 3/4"**
3 - 16" long resawn 2x4s

top view



Name:

- ___/4 Correct and complete drawing
- ___/3 Complete measurements
- ___/3 Neatness and accuracy

Please complete a orthographic drawing of your table. Remember to have clean, straight lines, accurate shapes, with well-labels measurements.

